

www.roco.cc

Roco

Modelleisenbahn GmbH



Catalog of new products 2008

Dear Roco model railway enthusiast,

Here it is, the catalog of new products for 2008, and as you will soon notice, we have made a number of significant changes. For all friends of the 3-wire AC power supply system, the AC locomotive models are now neatly arranged in a separate part of the catalog. All you have to do is “change” to the other preview page.

Whichever page you start reading first, you are sure to find many interesting models for our fascinating hobby.

One important new item is our Roco multiMAUS^{PRO} with the corresponding multi-ZENTRALE^{PRO}. In our new starter set 41273, E 10.3 electric locomotive with DB express train (page 14), we are offering digitally-controlled additional functions such as pantographs that can be raised and lowered and carriage doors that open and shut. This makes us the first company worldwide to offer such features.

We hope that you have fun browsing and reading both parts of the new Roco catalog and wish you lots of enjoyment with our new models.

Your Modelleisenbahn GmbH team.

Starter sets	3 - 13	Russia	86
New products	14 - 17	Poland	86 - 87
H0	18 - 22	Hungary	88 - 89
Germany	22 - 49	Czech Republic	89 - 90
Austria	50 - 58	Romania	90
Switzerland	60 - 66	General items	91
Italy	66 - 69	TT scale	92 - 93
Spain	67 - 73	N scale	94 - 97
France	73 - 75	Special offer	
Netherlands	76 - 78	diesel locomotives	51
Belgium	78 - 79	Special offer	
Luxembourg	79 - 80	sliding canopy car	59
Denmark	81 - 82		
Norway	82 - 84	Explanation of symbols	98
Sweden	84 - 85	Imprint	99
Finland	85	Where do I find it?	100

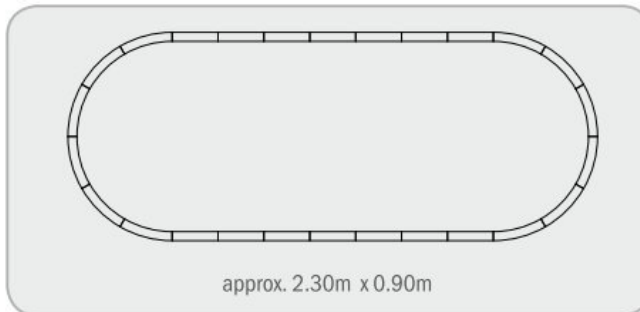
Noble & attractively priced: the legendary TEE.

Visually very attractive and the low price is a real surprise – the package with the legendary Trans-European Express VT 11.5.



Content/functions:

- 7-piece TEE with motorized end car with direction-of-travel dependent light change white/red, non-powered end car with illuminated tail light and direction-of-travel dependent light change white/red, intermediate car
- Roco geoLINE track oval R3 with trackbed:
 - 14 straight track sections G200
 - 1 pre-installed feed element
 - 12 curved track sections R3 (r= 434.5 mm)
- 10725 high-performance universal transformer 50VA
- 10764 digital amplifier
- 10810 multiMAUS: 9999 locomotive addresses can be programmed, the start voltage, acceleration and braking deceleration can be programmed separately (select operation with either 14 or 28 drive steps).
- Lighting output can be switched separately



41260



Digital starter set Vt11.5 TEE
UVP € 249.00

Starter sets

New products

H0

Germany

Austria

Switzerland

Italy

Spain

France

Netherlands

Belgium

Luxembourg

Denmark

Norway

Sweden

Finland

Russia

Poland

Hungary

Czech Republic

Romania

General items

TT scale

N scale

Digital starter set with V 36 diesel locomotive and 3 “Donnerbüchse” passenger cars

Starter sets

New products

H0

Germany

Austria

Switzerland

Italy

Spain

France

Netherlands

Belgium

Luxembourg

Denmark

Norway

Sweden

Finland

Russia

Poland

Hungary

Czech Republic

Romania

General items

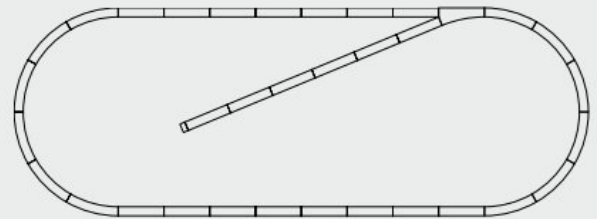
TT scale

N scale



Content/functions:

Local rail traffic in epoch III: the V36 diesel locomotive pulling three old-style “Donnerbüchse” (thunder-box) passenger cars. The oval track has a siding, enabling shunting operations. Other contents: Roco geoLine track layout A+B with 21 G200 straight track sections, 1 pre-installed feed element, 12 R3 curved tracks (r = 434.5 mm), 1 left-hand manual turnout, 1 buffer stop and 1 track-bed end piece. Digital amplifier 10764. 10810 multiMAUS with 9999 locomotive addresses, whereby the starting voltage, acceleration and deceleration settings can be programmed separately (operation in either 14 or 28 speed steps is possible). The lighting output can be switched independently.



approx. 2.50m x 0.90m



41268



Digital starter set with V 36 diesel locomotive and 3 “Donnerbüchse” passenger cars | UVP € 229.00

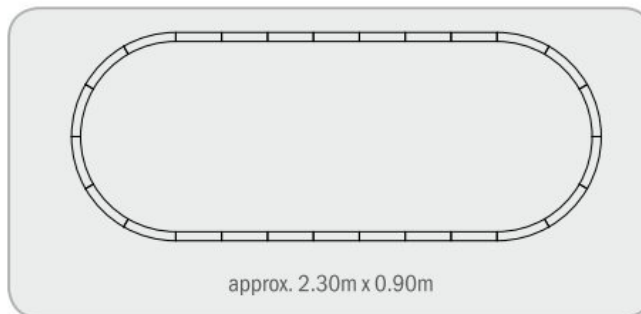
Digital starter set with steam locomotive BR 01.5 and interzone train



Content/functions:

This set consists of a BR 01.5 steam locomotive with a skirt, digital technology with enhanced sound functions such as departure whistle, platform PA announcements and brake noises. These functions can be activated individually via the multiMaus. The set also includes a second class passenger car of type "Silberling", an express passenger car with first and second class compartments and a second class express passenger car, all in 1:87 scale.

It has an oval Roco geoLINE R3 track with track bed: 14 G200 straight track sections, 1 pre-installed feed element and 12 R3 curved tracks ($r = 434.5 \text{ mm}$). One powerful type 10725 universal transformer with 50 VA and a type 10764 digital amplifier. One 10810 multiMAUS with 9999 locomotive addresses, whereby the starting voltage, acceleration and deceleration settings can be programmed separately (operation in either 14 or 28 speed steps is possible). The lighting output can be switched independently.



41270

DR

DB

III

II
08

Digital starter set with steam locomotive BR 01.5 and interzone train | UVP € 389.00

Starter sets

New products

H0

Germany

Austria

Switzerland

Italy

Spain

France

Netherlands

Belgium

Luxembourg

Denmark

Norway

Sweden

Finland

Russia

Poland

Hungary

Czech Republic

Romania

General items

TT scale

N scale

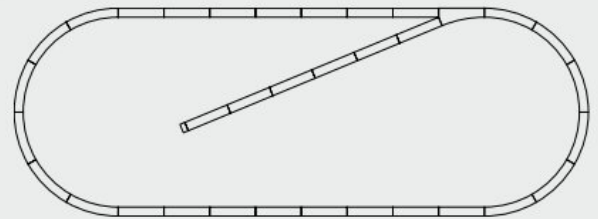
Digital starter set with BR 111 diesel locomotive and freight train

- Starter sets
- New products
- H0
- Germany
- Austria
- Switzerland
- Italy
- Spain
- France
- Netherlands
- Belgium
- Luxembourg
- Denmark
- Norway
- Sweden
- Finland
- Russia
- Poland
- Hungary
- Czech Republic
- Romania
- General items
- TT scale
- N scale



Content/functions:

The set consists of an orange-coloured type BR 111 diesel locomotive with one open freight car, one stake car and one hopper wagon for transporting grain.
 Other contents: Roco geoLine track layout A+B with 21 G200 straight track sections, 1 pre-installed feed element, 12 R3 curved tracks ($r = 434.5 \text{ mm}$), 1 left-hand manual turnout, 1 buffer stop and 1 track-bed end piece. Powerful type 10725 universal transformer with 50VA. Digital amplifier 10764. One 10810 multiMAUS with 9999 locomotive addresses, whereby the starting voltage, acceleration and deceleration settings can be programmed separately (operation in either 14 or 28 speed steps is possible). The lighting output can be switched independently.



approx. 2.50m x 0.90m



41271

DR

IV

III
08

Digital starter set with BR 111 diesel locomotive and freight train | UVP € 218.00

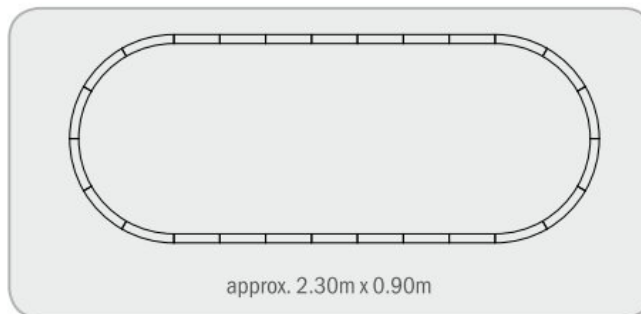
Digital starter set with BR 189 electric locomotive and freight train



Modern European transport system. The multi-system series 189 electric locomotive with three modern freight cars is operated in cross-border European rail transport.

Content/functions:

Roco geoLINE track layout A with 14 G200 straight track sections, 1 pre-installed feed element, 12 curved track sections R3 (r=434.5 mm). High performance 10725 universal transformer 50 VA. 10764 digital amplifier. 10810 multiMAUS: 9999 locomotive addresses can be programmed, the start voltage, acceleration and braking deceleration can be programmed separately (select operation with either 14 or 28 drive steps). Lighting output can be switched separately.



Starter sets

New products

H0

Germany

Austria

Switzerland

Italy

Spain

France

Netherlands

Belgium

Luxembourg

Denmark

Norway

Sweden

Finland

Russia

Poland

Hungary

Czech Republic

Romania

General items

TT scale

N scale

41269

DB

V

III
08

Digital starter set with BR 189 electric locomotive and freight train | UVP € 299.00

Digital starter set with “Hercules” diesel locomotive and freight train

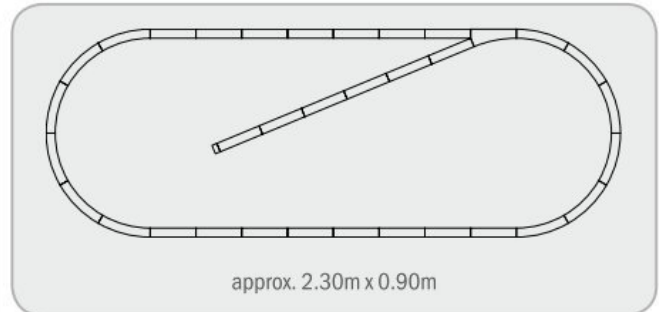
- Starter sets
- New products
- HO
- Germany
- Austria
- Switzerland
- Italy
- Spain
- France
- Netherlands
- Belgium
- Luxembourg
- Denmark
- Norway
- Sweden
- Finland
- Russia
- Poland
- Hungary
- Czech Republic
- Romania
- General items
- TT scale
- N scale



Content/functions:

This “Europe” starter set has modern rolling stock in professional quality: the powerful “Herkules” diesel locomotive made by Siemens pulling three modern freight cars, one belonging to DB-AG, one to SBB and one to ÖBB. The oval track has a siding, enabling shunting operations.

Other contents: Roco geoLine track layout A+B with 21 G200 straight track sections, 1 pre-installed feed element, 12 R3 curved tracks ($r = 434.5 \text{ mm}$), 1 left-hand manual turnout, 1 buffer stop and 1 track-bed end piece. Powerful type 10725 universal transformer with 50VA. Digital amplifier 10764. One 10810 multiMAUS with 9999 locomotive addresses, whereby the starting voltage, acceleration and deceleration settings can be programmed separately (operation in either 14 or 28 speed steps is possible). The lighting output can be switched independently.



41278   

Digital starter set with “Hercules” diesel locomotive and freight train | UVP € 219.00

Digital starter set with ICE2 and diesel locomotive pulling a freight train

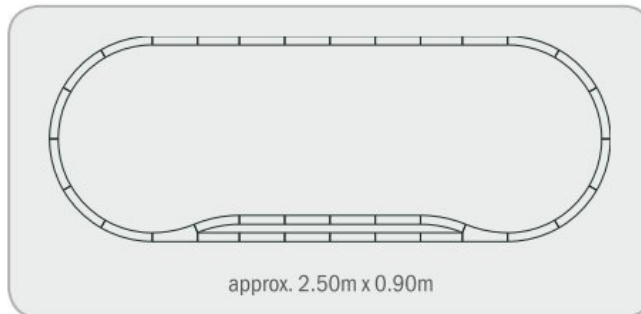
A two-train package to provide action right from the start: A three-unit ICE2 is accompanied by a freight train, a powerful diesel locomotive pulling three freight cars. The tracks form a large oval with a station track – real railway operations right from the start.



Content/functions:

3-unit ICE 2 (length scale 1:100), powered traction cab unit with direction-of-travel dependent white/red light change, two sounds: "horn" when in motion and "please mind the doors" beep signal when stopped, middle unit is restaurant car. 4-unit freight train set with BR 204 diesel locomotive with direction of-travel dependent white/white light change, digital decoder and three freight cars.

Roco geoLINE track layout A+B: 14 G200 straight track sections, 4 G1851 straight track sections pre-installed feed element, 12 R3 curved tracks (r = 434.5 mm), 1 left-hand manual turnout and 1 right-hand manual turnout, 2 adapter curves. Powerful type 10725 universal transformer with 50VA. Digital amplifier 10764. One 10810 multiMAUS with 9999 locomotive addresses, whereby the starting voltage, acceleration and deceleration settings can be programmed separately (operation in either 14 or 28 speed steps is possible). The lighting output can be switched independently.



51238



Digital starter set with ICE2 and diesel locomotive pulling a freight train | UVP € 299.00

Starter sets

New products

H0

Germany

Austria

Switzerland

Italy

Spain

France

Netherlands

Belgium

Luxembourg

Denmark

Norway

Sweden

Finland

Russia

Poland

Hungary

Czech Republic

Romania

General items

TT scale

N scale

Digital starter set Rh 1189 with freight train

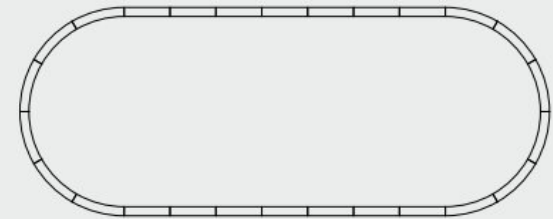
- Starter sets
- New products
- H0
- Germany
- Austria
- Switzerland
- Italy
- Spain
- France
- Netherlands
- Belgium
- Luxembourg
- Denmark
- Norway
- Sweden
- Finland
- Russia
- Poland
- Hungary
- Czech Republic
- Romania
- General items
- TT scale
- N scale



Starter set of Austrian railway train with Rh 1189 "crocodile" locomotive and high-class freight cars.

Content/functions:

ÖBB's Rh 1189 electric locomotive with four freight cars. Oval Roco geoLINE R3 track with trackbed: 14 G200 straight track sections, 1 pre-installed feed element and 12 R3 curved tracks (r = 434.5 mm). Powerful type 10725 universal transformer with 50VA. Digital amplifier 10764. One 10810 multiMAUS with 9999 locomotive addresses, whereby the starting voltage, acceleration and deceleration settings can be programmed separately (operation in either 14 or 28 speed steps is possible). The lighting output can be switched independently.



approx. 2.30m x 0.90m



41281



IV

II
08

Digital starter set Rh 1189 with freight train
UVP € 319.00

Digital starter set with Ce 6/8 electric locomotive and freight train



A starter set for friends of the Swiss railways, comprising a brown version of the popular "crocodile" locomotive and four high-class freight cars.

Content/functions:

SBB's Ce 6/8 electric locomotive with four freight cars. Oval Roco geoLINE R3 track with trackbed: 14 G200 straight track sections, 1 pre-installed feed element and 12 R3 curved tracks ($r = 434.5 \text{ mm}$). Powerful type 10725 universal transformer with 50VA, Digital amplifier 10764, 10810 multiMAUS with 9999 locomotive addresses, whereby the starting voltage, acceleration and deceleration settings can be programmed separately (operation in either 14 or 28 speed steps is possible). The lighting output can be switched independently.



approx. 2.30m x 0.90m



41280



Digital starter set with Ce 6/8 electric locomotive and freight train | UVP € 339.00

Starter sets

New products

H0

Germany

Austria

Switzerland

Italy

Spain

France

Netherlands

Belgium

Luxembourg

Denmark

Norway

Sweden

Finland

Russia

Poland

Hungary

Czech Republic

Romania

General items

TT scale

N scale

Digital starter set with Netherlands State Railway's 2200 series diesel locomotive pulling a freight train



Starter sets

New products

H0

Germany

Austria

Switzerland

Italy

Spain

France

Netherlands

Belgium

Luxembourg

Denmark

Norway

Sweden

Finland

Russia

Poland

Hungary

Czech Republic

Romania

General items

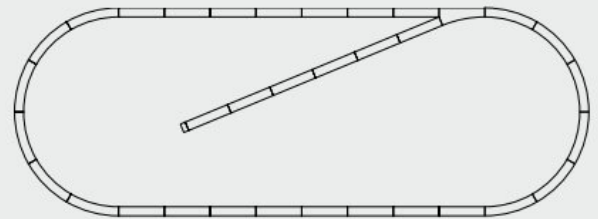
TT scale

N scale

Netherlands State Railway (NS) starter set with a 2200 series diesel locomotive and four high-class freight cars.

Content/functions:

Roco geoLine track layout A+B with 21 G200 straight track sections, 1 pre-installed feed element, 12 R3 curved tracks (r = 434.5 mm), 1 left-hand manual turnout, 1 buffer stop and 1 track-bed end piece. Powerful type 10725 universal transformer with 50VA. Digital amplifier 10764. 10810 multiMAUS with 9999 locomotive addresses, whereby the starting voltage, acceleration and deceleration settings can be programmed separately (operation in either 14 or 28 speed steps is possible). The lighting output can be switched independently.



approx. 2.50m x 0.90m



41272



IV

II
08

Digital starter set with Netherlands State Railway's 2200 series diesel locomotive pulling a freight train | UVP € 225.00

Digital starter set, with E.444 and FS express train

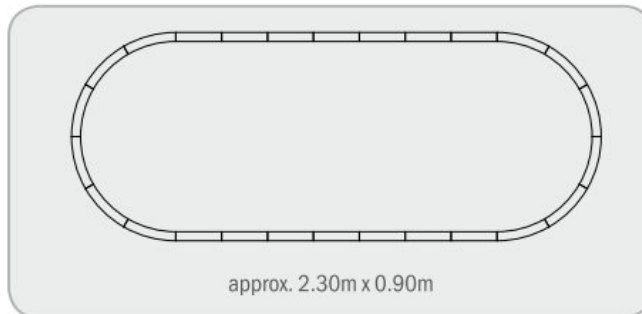


Content/functions:

This set contains an electric locomotive type E.444 of the Italian State Railway, with digital controls and 4 express train cars, all in 1:87 scale.

It has an oval Roco geoLINE R3 track with trackbed: 14 G200 straight track sections, 1 pre-installed feed element and 12 R3 curved tracks ($r = 434.5 \text{ mm}$). One powerful type 10725 universal transformer with 50 VA and a type 10764 digital amplifier.

One 10810 multiMAUS with 9999 locomotive addresses, whereby the starting voltage, acceleration and deceleration settings can be programmed separately (operation in either 14 or 28 speed steps is possible). The lighting output can be switched independently.



41287



Digital starter set with E.444 and FS express train
UVP € 299.00

Starter sets

New products

H0

Germany

Austria

Switzerland

Italy

Spain

France

Netherlands

Belgium

Luxembourg

Denmark

Norway

Sweden

Finland

Russia

Poland

Hungary

Czech Republic

Romania

General items

TT scale

N scale

Digital starter set with E10.3 electric locomotive and DB express train



Starter sets

New products

H0

Germany

Austria

Switzerland

Italy

Spain

France

Netherlands

Belgium

Luxembourg

Denmark

Norway

Sweden

Finland

Russia

Poland

Hungary

Czech Republic

Romania

General items

TT scale

N scale



Content/functions: For friends of the third epoch ("Epoche III") of the Deutsche Bundesbahn, this starter set offers a model E10.3 locomotive with digital controls and additional digital functions. In addition to offering a wide range of sound functions, the digital controls can also be used to raise and lower the pantograph.

The three express train cars, all in 1:87 scale, have doors which can be opened and closed using digital controls.

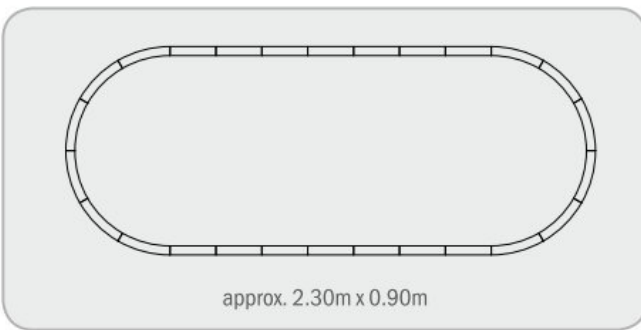
This is accompanied by characteristic door noises.

The set has an oval Roco geoLINE R3 track with track bed: 14 G200 straight track sections, 1 pre-installed feed element and 12 R3 curved tracks ($r = 434.5$ mm). One powerful type 10725 universal transformer with 50 VA and a type 10764 digital amplifier. One 10810 multiMAUS with 9999 locomotive addresses, whereby the starting voltage, acceleration and deceleration settings as well as the additional digital functions can be programmed and switched separately (operation in either 14 or 28 speed steps is possible). The lighting output can be switched independently.

41273



A WORLD FIRST!



approx. 2.30m x 0.90m



Digital starter set with E10.3 electric locomotive and DB express train | UVP € 790.00

Starter sets

New products

H0

Germany

Austria

Switzerland

Italy

Spain

France

Netherlands

Belgium

Luxembourg

Denmark

Norway

Sweden

Finland

Russia

Poland

Hungary

Czech Republic

Romania

General items

TT scale

N scale

multiMAUS^{PRO} – the new standard in model railway controls

Since its market launch a few years ago, multiMAUS has become a standard for digitally-controlled model railways. Its ease of use, attractive price and, last but not least, its ergonomic shape have already won the hearts of many model railway fans.

Now Roco is setting a new standard with multiMAUS^{PRO}. This unique combination of cutting-edge wireless communications and the newly-developed multiZENTRALE^{PRO} control unit shows how seriously Roco's development team takes its customers needs. Simply follow your train without losing control of the rest of your layout or of the other trains

running on it. Use the new route controls to define routes more or less as you travel by. Drive a model double-heading train, just like the real thing, while looking at it directly and without having to remain seated at the central controls.

The handy multiMAUS format has been retained, together with the simple, intuitive user interface and the attractive price. And you know that you will be able to use it for many years to come thanks to its update compatibility.

- Starter sets
- New products
- HO
- Germany
- Austria
- Switzerland
- Italy
- Spain
- France
- Netherlands
- Belgium
- Luxembourg
- Denmark
- Norway
- Sweden
- Finland
- Russia
- Poland
- Hungary
- Czech Republic
- Romania
- General items
- TT scale
- N scale

- **Off-the-shelf batteries or accumulators (3xAAA)**
- **Long battery life thanks to energy-saving mode**
- **Low-battery warning**



Greater flexibility – no need to bother about cable lengths.



- **Double-heading**
Simultaneous control of two locomotives pulling the same train.
- **Routing control**
Miniature layout mimic diagram in your multiMAUS^{PRO}.



- **Wireless in accordance with digital communications standard IEEE 802.15.4**
- **Extensive effective radius**



The digital communications standard ensures a good connection to your multiZENTRALE^{PRO} at all times.

- **Controls for up to 9999 locomotives, 1024 turn-outs and solenoid-operated articles**
- **Single-handed operation, for both right-handed and left-handed people**
- **Ergonomic for both young and old**
- **Clearly legible display**
- **Brightness control for display background illumination**

10811

multiMAUS^{PRO}
UVP € 199.00

The new multiZENTRALE^{PRO} – all the central control a model railway needs

The central control unit is the heart of any digitally-controlled model railway. This is where all information arrives, is processed and is passed on. In creating this unit, Roco's development team has taken a somewhat different approach, rather than just developing another run-of-the-mill control unit: it wanted this one to be small, flexible and economical. The result was the multiZENTRALE^{PRO}.

multiMAUS or the brand new multiMAUS^{PRO}. Its many new functions, including the ability to read out decoder data, many connection options for additional locomotive controls or multiMAUSes and a separate feedback bus, show that all kinds of sophisticated control tasks in your model railway setup can be carried out easily and economically by this new central control unit.

The new multiZENTRALE^{PRO} is a full-scale central control unit for your model railway. As opposed to other central control units, it gives you complete freedom to move around when used together with a

A USB port provides a simple interface to the world of PCs, not only for installing future updates, but above all for connection to the Rocomotion PC software supplied along with this set.

- **Wireless central control unit**
for use with several multiMAUSes



- **Built-in antenna**
- **3 RocoNet slave ports**
for connecting cable-bound locomotive controls and multiMAUSes.
- **Outputs for programming and main track**
Switched over automatically when the multiMAUS programming menu is called up.
- **Short-circuit-proof main track output**
Output current of up to 3.2 A, integrated overheating protection and current-limiter.
- **LED status indicators**
Keep an eye on things at a glance.



including

Rocomotion PC Software



- **Data read-out capability**
Used in conjunction with a Lokmaus 2 / R3, a multi-MAUS and the new multi-MAUSPRO, the unit can read out and modify the data of your DCC decoders.
- **Separate feed-back bus**
For connecting up the ROCO feed back module 10787.
- **USB port**
Greater comfort thanks to direct contact to a PC, especially when used in conjunction with the Rocomotion PC software included in the package.
- **Safe investment for the future**
Ready for the pending bidirectional DCC standard defined by the NMRA.

- **Rocomotion PC Software**
Included in the set. Hardware unit 10785 is not required. Rocomotion works directly with the new multiZENTRALE^{PRO}.

10831

Set multiMAUS^{PRO} and multiZENTRALE^{PRO}
UVP € 399.00

Starter sets
New products
H0
Germany
Austria
Switzerland
Italy
Spain
France
Netherlands
Belgium
Luxembourg
Denmark
Norway
Sweden
Finland
Russia
Poland
Hungary
Czech Republic
Romania
General items
TT scale
N scale

Contents/ functions: Steam locomotive with separate tender and digital decoder; narrow-gauge freight cars; H0e track layout: 16 straight tracks including connector track, 2 manual turnouts, 1 left, 1 right adapter curve, 2 adapter straight tracks, 12 standard radius curved tracks; 10725 powerful universal transformer 50VA; 10764 digital amplifier; 10810 multiMAUS, 9999 locomotive addresses can be programmed



31023 PRIVAT IV F+B III 08

Digital H0e starter set, steam locomotive with freight train
UVP € 249.00



Foto: Harald Herdin

33220 S IV 125 (= ->) F+B I 08

H0e electric locomotive Rh 1099, Austrian railways, ÖBB
UVP € 129.00

Revised model of the Rh 1099 of the "Mariazellerbahn" line, in "Jaffa" design. First version to be supplied with a digital interface.



Foto: A. Zopf

33262 S IV 134 (= ->) F+B II 08

H0e steam locomotive, series 399 of the Austrian railways, ÖBB | UVP € 245.00

Narrow-gauge steam locomotive of the former Mh series, with "epoch V" markings and as Rh 399 with ÖBB finish

Starter sets

New products

H0

Germany

Austria

Switzerland

Italy

Spain

France

Netherlands

Belgium

Luxembourg

Denmark

Norway

Sweden

Finland

Russia

Poland

Hungary

Czech Republic

Romania

General items

TT scale

N scale



Foto: Modelleisenbahn GmbH

Newly-designed model of an open narrow-gauge freight car with brakeman's platform

34550

DR

III

FN

IV
08

H0e model of open DR freight car
UVP € 19.90



Foto: Modelleisenbahn GmbH

Newly-designed model of an open narrow-gauge freight car without brakeman's platform

34551

DR

III

FN

IV
08

H0e model of open DR freight car
UVP € 19.90



Foto: E.Kerner

Newly-designed model of a narrow-gauge box car with brakeman's platform

34552

DR

III

FN

IV
08

H0e model of DR box car
UVP € 19.90



Foto: E.Kerner

Newly-designed model of a narrow-gauge box car without brakeman's platform

34553

DR

III

FN

IV
08

H0e model of DR box car
UVP € 19.90

Starter sets

New products

H0

Germany

Austria

Switzerland

Italy

Spain

France

Netherlands

Belgium

Luxembourg

Denmark

Norway

Sweden

Finland

Russia

Poland

Hungary

Czech Republic

Romania


General items


TT scale

N scale

- Starter sets
- New products
- H0**
- Germany
- Austria
- Switzerland
- Italy
- Spain
- France
- Netherlands
- Belgium
- Luxembourg
- Denmark
- Norway
- Sweden
- Finland
- Russia
- Poland
- Hungary
- Czech Republic
- Romania
- General items
- TT scale
- N scale

Set comprises two four-axled cars with half-height stanchions




34592  IV $\frac{128}{\leftarrow \rightarrow}$ FV $\frac{II}{08}$

Two-unit set, H0e models of freight cars with half-stanchions | UVP € 58.60



34600 $\frac{26}{\leftarrow \rightarrow}$ F+B $\frac{I}{08}$

Two-unit tipping truck set
UVP € 9.90



34601 $\frac{26}{\leftarrow \rightarrow}$ F+B $\frac{I}{08}$

Two-unit cement tipping truck set
UVP € 9.90



34602 $\frac{26}{\leftarrow \rightarrow}$ F+B $\frac{I}{08}$

Two-unit pivoted bolster truck set
UVP € 9.90



34603

²⁶
(⇐ ⇒)

F+B

¹
08

Two-unit crate truck set
UVP € 9.90



34604

²⁶
(⇐ ⇒)

F+B

¹
08

Two-unit coal mine truck set
UVP € 9.90



34605

⁴⁷
(⇐ ⇒)

F+B

¹
08

Two-unit coal truck set
UVP € 9.90



34606

⁴⁷
(⇐ ⇒)

F+B

¹
08

Two-unit mine truck set
UVP € 9.90

Starter sets

New products

H0

Germany

Austria

Switzerland

Italy

Spain

France

Netherlands

Belgium

Luxembourg

Denmark

Norway

Sweden

Finland

Russia

Poland

Hungary

Czech Republic

Romania

General items

TT scale

N scale

- Starter sets
- New products
- H0
- Germany
- Austria
- Switzerland
- Italy
- Spain
- France
- Netherlands
- Belgium
- Luxembourg
- Denmark
- Norway
- Sweden
- Finland
- Russia
- Poland
- Hungary
- Czech Republic
- Romania
- General items
- TT scale
- N scale



34607

$\frac{26}{(= \Rightarrow)}$

F+B

$\frac{I}{08}$

Two-unit bridge truck set
UVP € 9.90



64000

K.Bay.Sts.B.

I

F+B

$\frac{I}{08}$

Between 1899 and 1903, the Maffei company from Munich delivered a total of 29 locomotives to the Royal Bavarian State Railway. Due to its low top speed and the low axle loads, these locomotives were mainly used on secondary lines for pulling both passenger trains and freight trains. Suitable traction locomotive for set 64000.



63299

K.Bay.Sts.B.

I

$\frac{115}{(= \Rightarrow)}$

F+B

$\frac{I}{08}$

BB II steam locomotive of the Royal Bavarian State Railway | UVP € 144.00



34610

67
(= ⇒)

F+B

I
08

Two-unit light railway truck set
UVP € 23.50



The set comprises four different passenger cars with authentic colors and "Epoch I" lettering of the Bavarian State Railway.

Four-unit local train of the Royal Bavarian State Railway | UVP € 109.00

Roco model of the 01 series locomotive, for the first time as the DRG version, reworked with new metal wheel set, newly designed smoke box shield plate, a closed skirt and new smoke box support. Reworked 2.2.T32 tender housing with newly designed bogie faceplates and brake shoes at wheel level. Propulsion system in tender and also additionally via the cardan shaft to the locomotive wheels, digital interface, LED lighting.



63341



II

234
(= ⇒)

FV

I
08

BR 01 DRG steam locomotive
UVP € 249.00

Starter sets

New products

H0

Germany

Austria

Switzerland

Italy

Spain

France

Netherlands

Belgium

Luxembourg

Denmark

Norway

Sweden

Finland

Russia

Poland

Hungary

Czech Republic

Romania

General items

TT scale

N scale

- Starter sets
- New products
- H0
- Germany
- Austria
- Switzerland
- Italy
- Spain
- France
- Netherlands
- Belgium
- Luxembourg
- Denmark
- Norway
- Sweden
- Finland
- Russia
- Poland
- Hungary
- Czech Republic
- Romania
- General items
- TT scale
- N scale



Deutsche Reichsbahn Gesellschaft redesigned the EP 2 electric locomotive, originally delivered in 1924, to create the E 32 series. The locomotive received its classical green color during this process.

63852



II

150
(← →)

F+B

II
08

Electric locomotive E32, DRG
UVP € 155.00

From 1929 onwards, DRG started acquiring standardized express train cars to replace the many different car designs used by railways in the individual states.



45682



II

249
(← →)

F+B

I
08

Standard 1st/2nd class express train car,
DRG | UVP € 40.90



45683



II

249
(← →)

F+B

I
08

Standard 3rd class express train car, DRG
UVP € 40.90



45684



II

249
(← →)

F+B

I
08

Standard 1st/2nd/3rd class express train
car, DRG | UVP € 40.90

The standardized express train carriage series which DRG started introducing in 1929 also includes a baggage car, also to replace the many different designs used by railways in the various states.



45685



226
(= ⇒)

F+B

I
08

Baggage car for the standard express train carriage series, DRG | UVP € 40.90

Mitropa restaurant car of type WL4ü-28, hauled by DRG as a privately-owned car



45686



270
(= ⇒)

F+B

I
08

Mitropa restaurant car, DRG UVP € 42.90

Mitropa sleeper car of type WR4ü-28, hauled by DRG as a privately-owned car



45687



270
(= ⇒)

F+B

I
08

Mitropa sleeper car, DRG UVP € 42.90

Set comprising two cars, different versions and with different road/running numbers.



45949



107
(= ⇒)

F+B

II
08

Two-unit set of open freight cars, DRG type Om21 | UVP € 28.90

Starter sets

New products

H0

Germany

Austria

Switzerland

Italy

Spain

France

Netherlands

Belgium

Luxembourg

Denmark

Norway

Sweden

Finland

Russia

Poland

Hungary

Czech Republic

Romania

General items

TT scale

N scale



66550



II

166
(← →)

F+B

II
08

Tank car, DRG
UVP € 30.65

Starter sets

New products

H0

Germany

Austria

Switzerland

Italy

Spain

France

Netherlands

Belgium

Luxembourg

Denmark

Norway

Sweden

Finland

Russia

Poland

Hungary

Czech Republic

Romania

General items

TT scale

N scale

Model of the BR 03.10 with surface preheater, supplied with integrated digital sound.



63284



III

275
(← →)

FV



I
08

Steam locomotive BR 03.10 with sound, DB
UVP € 509.00

A model of the BR 03.10 with old boiler design and surface preheater.



63283



III

275
(← →)

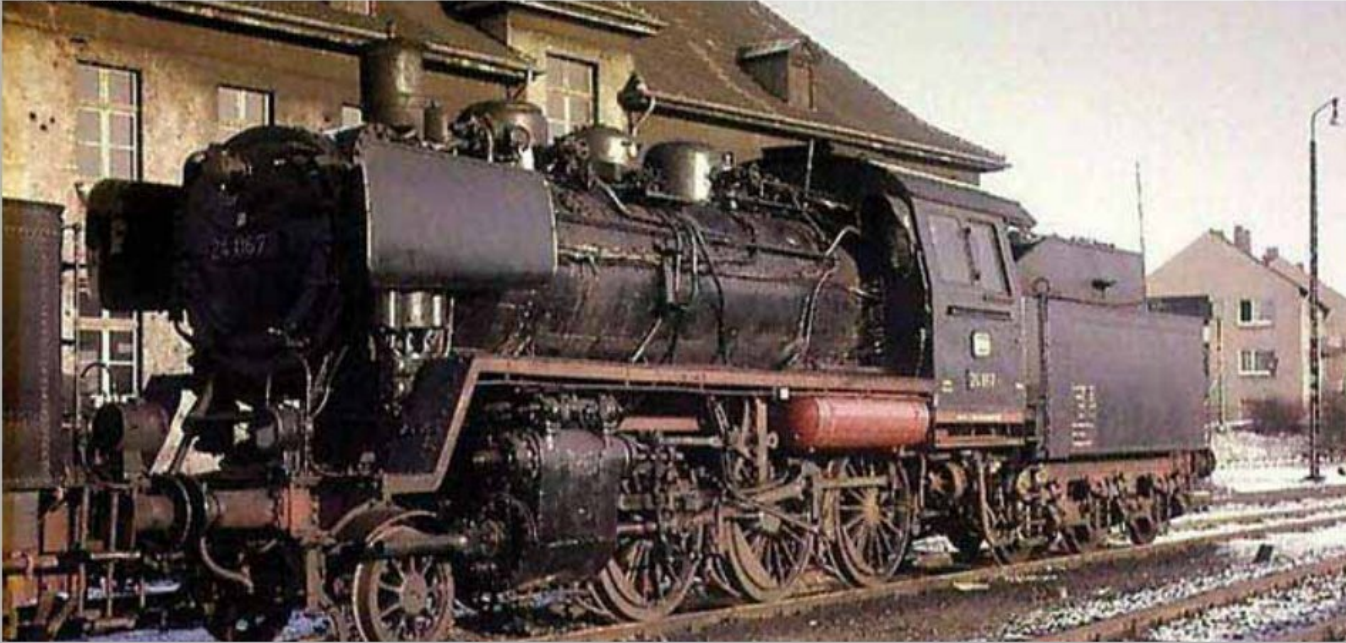
FV

I
08

Steam locomotive BR 03.10, DB
UVP € 389.00

The 24 series was built by Schichau and Linke-Hofmann between 1926 and 1938. These locomotives were used a lot on long and flat branch lines in Northern Germany, where it was given the nickname of "steppe horse". In all, 95 locomotives of this type, which was closely related to the BR 64, were built. The model is of a completely new design; all of the important detail differences to the BR 64 have been taken into account. The model is due to come on the market in the course of 2008 in a version with Witte-type smoke deflectors.

Foto: H. Dalhaus



62210



III

195
€ ⇒

FN

IV
08

BR 24 steam locomotive, DB
UVP € 225.00

Series 52 locomotives, a version of the BR 50 which had been simplified due to wartime conditions, were built in large numbers from 1942 onwards. In this version, all non-essential parts were eliminated and the design was further modified to allow as simple a production procedure as possible. After the end of the war, those locomotives which remained in use in various countries and states were taken into the rolling stock inventories of the respective railway administrations and many of the simplified components were gradually replaced by higher-quality parts.



Foto: Slg. H. Brinker

62270



III

FN

IV
08

BR 52 steam locomotive, DB
UVP € 239.00

Starter sets

New products

H0

Germany

Austria

Switzerland

Italy

Spain

France

Netherlands

Belgium

Luxembourg

Denmark

Norway

Sweden

Finland

Russia

Poland

Hungary

Czech Republic

Romania

General items

TT scale

N scale



Foto: Sig. H. Brinker

Modified version of model 62270, with integrated digital sound and smoke generator.

62269



III

FN



IV
08

BR 52 steam locomotive, BR, with sound and smoke
UVP € 359.00

Starter sets

New products

H0

Germany

Austria

Switzerland

Italy

Spain

France

Netherlands

Belgium

Luxembourg

Denmark

Norway

Sweden

Finland

Russia

Poland

Hungary

Czech Republic

Romania

General items

TT scale

N scale



The "Württemberg beauty", a dream model for many Roco fans, is back. Reworked and improved version in epoch IIIa color and marking scheme, now with metal wheel sets, new locomotive-tender connection and digital interface.

63328



III

251
(= ⇒)

FV

IV
07

18.1 series steam locomotive, DB
UVP € 199.00



Model of the German E 94 "Crocodile" in the early years of epoch III.

63773



III

213
(= ⇒)

F+B

I
08

E 94 electric locomotive in original DB design
UVP € 174.00



A model of DB's standard shunting locomotive in the original design of epoch III. Apart from being used for shunting freight and passenger cars, these locomotives were popular for transfer runs and freight trains on branch lines.

63377



III

120
(= ⇒)

F+B

IV
08

Class V 60 diesel locomotive, DB
UVP € 99.00

New version of the former Württemberg express train car early in era III with different road/running numbers than in the first version. Suitable addition to BR 18.1 in era IIIa, Roco Item no. 63328



45494



III

222
(← →)

F+B

I
08

1st/2nd class express train car, DB
UVP € 39.90



45495



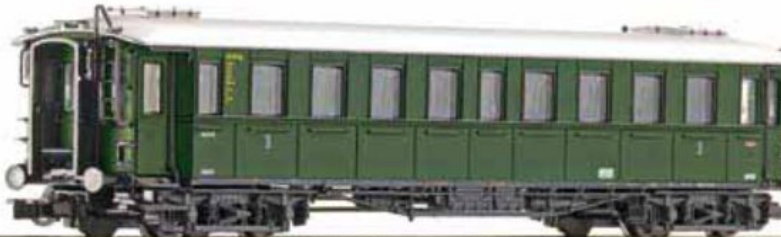
III

222
(← →)

F+B

I
08

3rd class express train car, DB
UVP € 39.90



45496



III

222
(← →)

F+B

I
08

3rd class express train car, DB
UVP € 39.90



45497



III

222
(← →)

F+B

I
08

3rd class express train car, DB
UVP € 39.90

Starter sets

New products

H0

Germany

Austria

Switzerland

Italy

Spain

France

Netherlands

Belgium

Luxembourg

Denmark

Norway

Sweden

Finland

Russia

Poland

Hungary

Czech Republic

Romania

General items

TT scale

N scale

- Starter sets
- New products
- H0
- Germany
- Austria
- Switzerland
- Italy
- Spain
- France
- Netherlands
- Belgium
- Luxembourg
- Denmark
- Norway
- Sweden
- Finland
- Russia
- Poland
- Hungary
- Czech Republic
- Romania
- General items
- TT scale
- N scale

Dining car class WR4Ü-28 of the "Deutsche Schlaf- und Speisewagengesellschaft", hauled by DB as a privately-owned car.



45672



III

270
(← →)

FN

I
08

DSG Dining car, operated by DB
UVP € 42.90

Sleeping car class WL4ü-28 of the "Deutsche Schlaf- und Speisewagengesellschaft", hauled by DB as a privately-owned car.



45673



III

270
(← →)

FN

I
08

DSG sleeping car, operated by DB
UVP € 42.90

New version of the model of the popular local services passenger car, length exactly to scale and with new road/running numbers.



44680



IV

303
(← →)

F+B

I
08

2nd class car with center door, DB
UVP € 42.00



44681



IV

303
(← →)

F+B

I
08

1st/2nd class car with center door, DB
UVP € 42.00

Car with driver's cab, baggage compartment and built-in tail light.



45794



IV

303
(← →)

FV

I
08

2nd class car with center door, DB
UVP € 66.50



Loaded with a Deutsche Bundesbahn truck.

66352



III

136
(← →)

F+B

II
08

Stake car, DB
UVP € 29.90



66675



III

162
(← →)

FV

II
08

Class Kbs stake car, DB
UVP € 15.90



DB box cars marked as material transport cars used by the "Krone" circus.

66004



III

F+B

III
08

Two-piece set, "Zirkus Krone" box cars
UVP € 38.50

Starter sets

New products

H0

Germany

Austria

Switzerland

Italy

Spain

France

Netherlands

Belgium

Luxembourg

Denmark

Norway

Sweden

Finland

Russia

Poland

Hungary

Czech Republic

Romania

General items

TT scale

N scale

- Starter sets
- New products
- H0
- Germany
- Austria
- Switzerland
- Italy
- Spain
- France
- Netherlands
- Belgium
- Luxembourg
- Denmark
- Norway
- Sweden
- Finland
- Russia
- Poland
- Hungary
- Czech Republic
- Romania
- General items
- TT scale
- N scale

Set of four-axle hopper bulk goods cars with hinged covers, for bulk freight which has to be protected against water. All cars have different road/running numbers.



66018



III

138
(← →)

FN

IV
08

Four-piece set no. 1, hopper freight cars, DB
UVP € 99.00

All cars have different road/running numbers



66019



III

FN

IV
08

Four-piece set no. 2, hopper freight cars, DB
UVP € 99.00

Loaded with two "Krone" circus caravans



66676



III

162
(= ⇒)

F+B

III
08

Stake car, DB, "Zirkus Krone"
UVP € 56.90

Loaded with one „Krone“ circus caravan and a tractor



66677



III

162
(= ⇒)

F+B

III
08

Stake car, DB, "Zirkus Krone"
UVP € 49.80

The East German "Deutsche Reichsbahn" used the class BR 57 locomotives for heavy-duty shunting and for short-run freight trains



62228

DR

III

217
(= ⇒)

F+B

II
08

BR 57 steam locomotive, DR version
UVP € 179.00

At the end of WWII, some Italian passenger cars remained in DR operating territory, where they were taken over into the rolling stock fleet and deployed in normal operations



45549

DR

III

242
(= ⇒)

F+B

IV
08

2nd class passenger cars, DR
UVP € 49.90

Starter sets

New products

H0

Germany

Austria

Switzerland

Italy

Spain

France

Netherlands

Belgium

Luxembourg

Denmark

Norway

Sweden

Finland

Russia

Poland

Hungary

Czech Republic

Romania

General items

TT scale

N scale

- Starter sets
- New products
- H0
- Germany
- Austria
- Switzerland
- Italy
- Spain
- France
- Netherlands
- Belgium
- Luxembourg
- Denmark
- Norway
- Sweden
- Finland
- Russia
- Poland
- Hungary
- Czech Republic
- Romania
- General items
- TT scale
- N scale

Two-axle tank car with aluminum tank



47778 DR III 102 (← →) F+B I / 08

Tank car, DR
UVP € 19.90

Four-axle stake car, as operated by DR



66637 DR III 196 (← →) F+B II / 08

Stake car with brakeman's cab, DR
UVP € 30.90

Each car has a different road/running number



45950 DR III 107 (← →) F+B II / 08

Two-piece set of open DR freight cars
UVP € 28.90

Kit for a four-axle box car, former "Bromberg" class



66642 DR III 206 (← →) F+B I / 08

Kit, model of DR box car
UVP € 13.80



Epoch IV version of DB's class E10 locomotive from the first production series, with simple headlights, unbroken rain gutter, single lights, horizontal fans and large main headlight without attached shade.

62493



IV

190
(= →)

F+B

III
08

Electric locomotive class BR E 10.1, DB
UVP € 149.00



The first models of the locomotives operated as class (BR) 116 by DB were commissioned as class ES1 in 1926. As the design proved to be successful, further locomotives were built until 1933. They remained in service in the DB fleet until 1979, usually pulling fast trains and express trains within Bavaria and into Austria.

63623



IV

188,5
(= →)

F+B

II
08

BR 116 electric locomotive, DB
UVP € 174.00



The class (BR) 221 locomotives were developed on the basis of class 220, and had more powerful engines. This enabled the more widespread deployment of these locomotives in heavy-duty passenger and freight train services. The two classes are also distinguishable from one another by the minor exterior design changes and different arrangement of windows and ventilation grilles.

Foto: U. Oberländer

62840



IV

213
(= →)

FN

IV
08

BR 221 diesel locomotive, DB
UVP € 149.00

Starter sets

New products

H0

Germany

Austria

Switzerland

Italy

Spain

France

Netherlands

Belgium

Luxembourg

Denmark

Norway

Sweden

Finland

Russia

Poland

Hungary

Czech Republic

Romania

General items

TT scale

N scale



Foto: U. Oberländer

Same design as model number 62840, but with integrated digital sound. Running noise synchronized with the speed noise, starting sound and horn can be sounded separately; sound not possible in analog control mode.

62841



IV

213
(← →)

FN



IV
08

BR 221 diesel locomotive with sound, DB
UVP € 269.00

Starter sets

New products

H0

Germany

Austria

Switzerland

Italy

Spain

France

Netherlands

Belgium

Luxembourg

Denmark

Norway

Sweden

Finland

Russia

Poland

Hungary

Czech Republic

Romania

General items

TT scale

N scale



Model of a class 140 locomotive, in classical green color scheme and epoch IV markings.

63707



IV

190
(← →)

F+B

II
08

BR 140 electric locomotive, DB
UVP € 74.90



Epoch IV version of the class V 65 locomotives as purchased by DB in 1956. Apart from being used for shunting freight and passenger cars, these locomotives were popular for transfer runs and freight trains on branch lines.

63941



IV

124
(← →)

FV

III
08

BR 265 diesel locomotive, DB
UVP € 119.00



46407



IV

161
(← →)

F+B

II
08

DB box car
UVP € 22.00

Redesigned version of the class WRmh132 dining car owned by the "Deutsche Schlaf- und Speisewagengesellschaft" and hauled by DB as a privately-owned vehicle

Foto: Sig. Modelleisenbahn GmbH



45810



IV

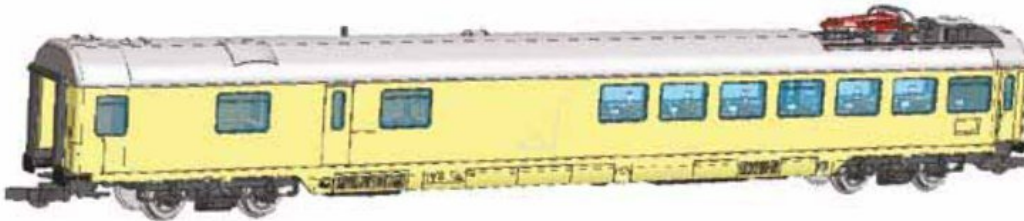
303
(← →)

FN

I
08

DSG dining car, operated by DB
UVP € 54.90

Redesigned version of the class WRmz135 dining car with pantograph and "Rheingold" color scheme



45811



IV

303
(← →)

FN

II
08

DB dining car
UVP € 64.00

With tail light that can be switched on/off and changed car number



45834



IV

303
(← →)

F+B

II
08

2nd class DB IC passenger car with open
saloon | UVP € 65.90

Starter sets

New products

H0

Germany

Austria

Switzerland

Italy

Spain

France

Netherlands

Belgium

Luxembourg

Denmark

Norway

Sweden

Finland

Russia

Poland

Hungary

Czech Republic

Romania

General items

TT scale

N scale

- Starter sets
- New products
- H0
- Germany
- Austria
- Switzerland
- Italy
- Spain
- France
- Netherlands
- Belgium
- Luxembourg
- Denmark
- Norway
- Sweden
- Finland
- Russia
- Poland
- Hungary
- Czech Republic
- Romania
- General items
- TT scale
- N scale

New design of a group 53 DB express passenger car



45860



IV

303
(← →)

FN

III
08

1st class express passenger car, DB
UVP € 48.90

New design of a group 53 DB express passenger car



45861



IV

303
(← →)

FN

III
08

1st/2nd class express passenger car, DB
UVP € 48.90



66003



IV

FN

III
08

Container car with five DB standard German railway
"door-to-door" containers.



46538



IV

171
(← →)

F+B

I
08

DB container transport car
UVP € 32.40

New design of a group 53 DB express passenger car



45862



IV

303
← →

FN

III
08

2nd class express passenger car, DB
UVP € 48.90

New design of a group 53 DB express passenger car,
with changed car number



45863



IV

303
← →

FN

III
08

2nd class express passenger car, DB
UVP € 48.90

Three-piece set of cars, each of which has a different
road/running number.



Three-piece set, ore transport cars, DB
UVP € 82.00



66014



IV

FN

IV
08

Two-piece set, coupling cars, DB
UVP € 34.80

Starter sets

New products

H0

Germany

Austria

Switzerland

Italy

Spain

France

Netherlands

Belgium

Luxembourg

Denmark

Norway

Sweden

Finland

Russia

Poland

Hungary

Czech Republic

Romania

General items

TT scale


N scale

- Starter sets
- New products
- H0
- Germany
- Austria
- Switzerland
- Italy
- Spain
- France
- Netherlands
- Belgium
- Luxembourg
- Denmark
- Norway
- Sweden
- Finland
- Russia
- Poland
- Hungary
- Czech Republic
- Romania
- General items
- TT scale
- N scale



Foto: Talbot AG

Re-designed version of an open freight car, type Eanos

66500  IV $\left(\begin{smallmatrix} 162 \\ \leftarrow \rightarrow \end{smallmatrix} \right)$ FN $\frac{IV}{08}$

Four-axle open freight car, type Eanos, DB
UVP € 19.90



Foto: J.Klaus

Four-axle self-discharging (hopper) car with hinged covers, for bulk goods which have to be protected against water.

66690  IV $\left(\begin{smallmatrix} 138 \\ \leftarrow \rightarrow \end{smallmatrix} \right)$ FN $\frac{IV}{08}$

Self-discharging (hopper) car with hinged covers, DB | UVP € 24.90



Loaded with a DB semi-trailer

66702  IV $\left(\begin{smallmatrix} 189 \\ \leftarrow \rightarrow \end{smallmatrix} \right)$ F+B $\frac{III}{08}$

Standard deep-well flat car, DB
UVP € 36.00



Kit for building a model of a box car with brakeman's platform.

66392  IV $\left(\begin{smallmatrix} 127 \\ \leftarrow \rightarrow \end{smallmatrix} \right)$ F+B $\frac{I}{08}$

DB box car kit
UVP € 13.80

In the mid-Sixties the DR had 72 BR 50.35 locomotives equipped with reconstructed boilers converted to primary oil firing. They were initially given the new series designation BR 50.50; when numbers appropriate for EDP were introduced, the designation was changed to BR 50.00. Modified form of the well-known Roco BR 50 with realistically modified plumbing layout on boiler, closed ash box and redesigned oil tender.



62265 DR IV $\frac{264}{(- \rightarrow)}$ FV $\frac{1}{08}$

Oil-fired steam locomotive BR 50.50, DR
UVP € 234.00



62810 DR IV $\frac{160}{(- \rightarrow)}$ FN $\frac{1}{08}$

BR 114 diesel locomotive, DR
UVP € 79.00

The original BR 110 was developed for passenger and freight train services and as a model for use in shunting work for the DR. The most powerful engine, which had 1100 kW (1500 horsepower) was later installed in the locomotives which were designated class (BR) 114.

As model 62810, but with different road/running number



62811 DR IV $\frac{160}{(- \rightarrow)}$ FN $\frac{1}{08}$

BR 114 diesel locomotive, DR
UVP € 79.00

Starter sets

New products

H0

Germany

Austria

Switzerland

Italy

Spain

France

Netherlands

Belgium

Luxembourg

Denmark

Norway

Sweden

Finland

Russia

Poland

Hungary

Czech Republic

Romania

General items

TT scale

N scale

- Starter sets
- New products
- H0
- Germany
- Austria
- Switzerland
- Italy
- Spain
- France
- Netherlands
- Belgium
- Luxembourg
- Denmark
- Norway
- Sweden
- Finland
- Russia
- Poland
- Hungary
- Czech Republic
- Romania
- General items
- TT scale
- N scale



Model of Deutsche Reichsbahn's class 110 diesel locomotive used for both passenger and freight services as well as for shunting. As an all-purpose locomotive, used particularly on branch lines, it replaced many steam locomotives and could be seen on almost all GDR railway lines.

62815 DR IV 160 (← →) F+B II 08

BR 110 diesel locomotive, DR
UVP € 79.00



Loaded with two Wartburg 353 cars.

66354 DR IV 136 (← →) F+B II 08

Stake car, DR
UVP € 39.80



Re-designed version of an open freight car, type Eanos

Foto: Sig. Modelleisenbahn GmbH

66505 DR IV 162 (← →) FN IV 08

Open freight car with four axles, DR
UVP € 19.90



Railion Logistic, a subsidiary of DB AG, deploys the BR 189, capable of operating with several different traction energy supply systems, particularly for long-distance and cross-border freight trains.

62432 DB V 225 (← →) F+B II 08

BR 189 electric locomotive, DB
UVP € 175.00

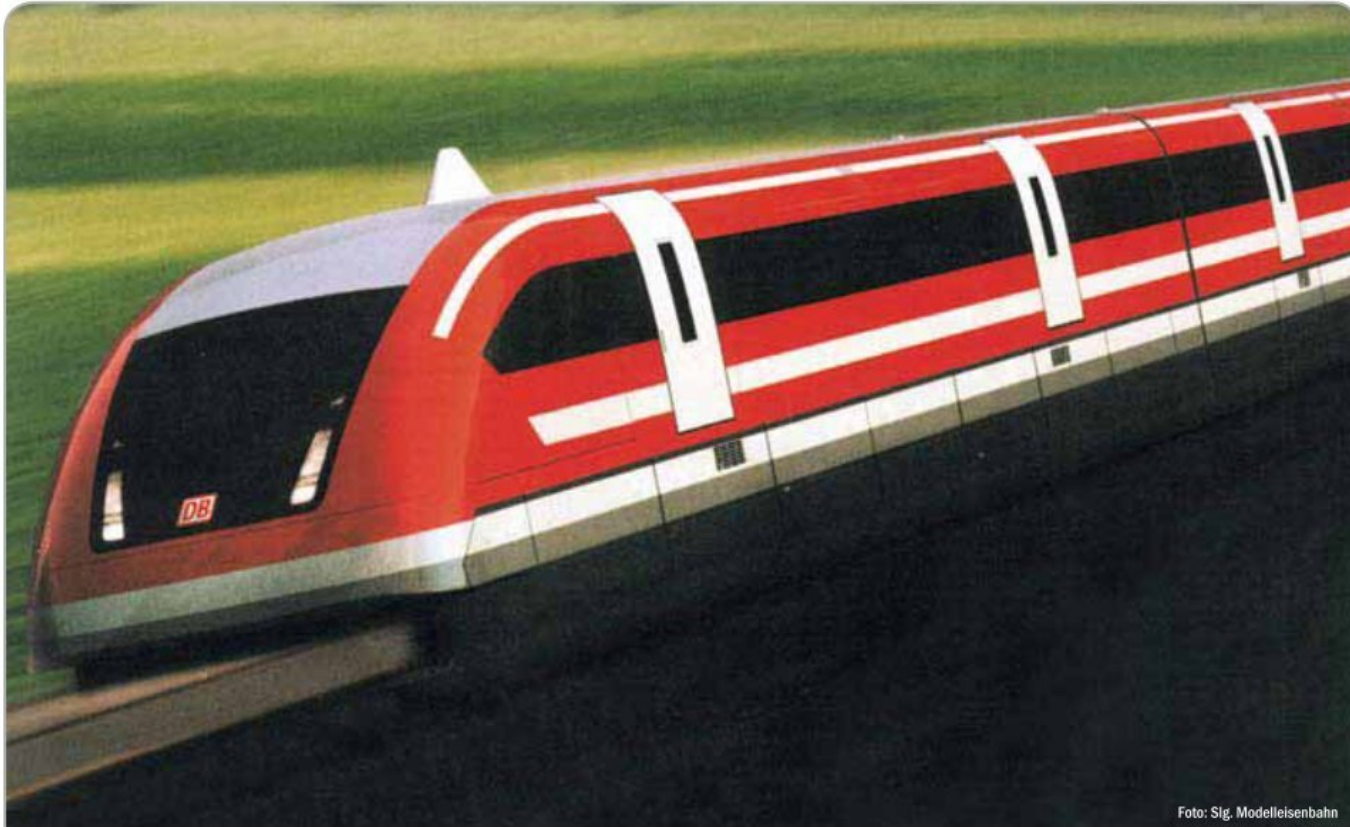


Foto: Sig. Modelleisenbahn

62010

DB

V

FN

Advance notice of Transrapid 09 model price not yet available

A special model of DB's class BR 102-2 with markings designed in the "Azubis gegen Hass und Gewalt" (apprentices against hate and violence) project. In this project, run annually since 2000, apprentices from all DB corporation sectors have been taking action against right-wing extremism, xenophobia and violence and in support of moral courage and team spirit. The "apprentices' locomotive" of 2007 which bears the slogan "Wir menschen sind alle gleich" (All humans are equal) is based on the design by the Offenburg group of apprentices and has been in service on the DB railway network since September 2007.



63568

DB

V

218
(- -)

F+B

I
08

BR 101 electric locomotive, special color scheme "Azubis gegen Hass und Gewalt", DB | UVP € 165.00

Starter sets

New products

H0

Germany

Austria

Switzerland

Italy

Spain

France

Netherlands

Belgium

Luxembourg

Denmark

Norway

Sweden

Finland

Russia

Poland

Hungary

Czech Republic

Romania

General items

TT scale

N scale

- Starter sets
- New products
- H0
- Germany
- Austria
- Switzerland
- Italy
- Spain
- France
- Netherlands
- Belgium
- Luxembourg
- Denmark
- Norway
- Sweden
- Finland
- Russia
- Poland
- Hungary
- Czech Republic
- Romania
- General items
- TT scale
- N scale



The class (BR) 111 is used by DB AG in a standard traffic-red color scheme as a favorite locomotive for its "Regional Express" trains.

63717 DB V 190 (← →) F+B III 08

BR 111 electric locomotive, DB
UVP € 94.50



The locomotives known as the DR class (BR) 114 were designated class 204 when taken over by DB AG. Owing to technical running problems, the top speed of these locomotives was reduced to 80 km/h and they were gradually withdrawn from service. A few units have remained in operative service until today.

62812 DB V 160 (← →) FN I 08

BR 204 diesel locomotive, DB
UVP € 79.00



Class 202 locomotive, color scheme and markings of the north Bavarian private railway "Nordbayrische Eisenbahngesellschaft".

62814 PRIVAT V 160 (← →) FN II 08

BR 202 diesel locomotive, NbE version
UVP € 79.00



Eight-axle articulated tram/railcar train modelled on the versions operated by the Cologne public transport company "Kölner Verkehrsbetriebe". The under-floor traction unit in one bogey enables a free view of the passenger spaces and interior furnishings.

63092 KVB IV - V 348 (← →) F+B II 08

Articulated 8-axle railcar, KVB color scheme
UVP € 97.00

Model with head/tail lights, capable of switching between red and white, with changed road/running number.



45833

DB

V

303
(← →)

F+B

III
08

2nd class IC passenger car with driver's cab, DB
UVP € 74.00

In the mid-Nineties, new control cars were built in the repair shops in Wittenberge for the increasing use of push-pull trains by Bahn AG. The nickname "Wittenberger" was coined for this type of control car due to the characteristic shape of its front end.

Foto: Stig. Modelleisenbahn GmbH



64210

DB

V

303
(← →)

FN

IV
08

2nd class control car for local services, "Wittenberger"
UVP € 69.90

In spite of their advanced age, the cars formerly known as "Silberlinge" (silverlings), now modernized and painted in standard-traffic red, are indispensable in Germany's local rail services and can be seen all around the country.



45880

DB

V

303
(← →)

F+B

I
08

1st/2nd class DB local service passenger car
UVP € 49.90

Starter sets

New products

H0

Germany

Austria

Switzerland

Italy

Spain

France

Netherlands

Belgium

Luxembourg

Denmark

Norway

Sweden

Finland

Russia

Poland

Hungary

Czech Republic

Romania

General items

TT scale

N scale

- Starter sets
- New products
- H0
- Germany
- Austria
- Switzerland
- Italy
- Spain
- France
- Netherlands
- Belgium
- Luxembourg
- Denmark
- Norway
- Sweden
- Finland
- Russia
- Poland
- Hungary
- Czech Republic
- Romania
- General items
- TT scale
- N scale



Foto: Fa. Bombardier

Model of a double-decker/bilevel control car with lower-level entrance doors, as used by DB AG

64223



V

303
(← →)

FN

IV
08

2nd class double-decker/bilevel control car, DB AG
UVP € 69.90



Foto: Fa. Bombardier

Model of a modern double-decker/bilevel with door entrance steps as used by DB AG, changed road/running number.

64221



V

303
(← →)

FN

IV
08

2nd class double-decker/bilevel car, DB AG
UVP € 59.00

In spite of their advanced age, the cars formerly known as "Silberlinge" (silverlings), now modernized and painted in standard traffic red, are indispensable in Germany's local rail services and can be seen all around the country.



45881



V

303
(← →)

F+B

I
08

2nd class local service passenger car, DB
UVP € 49.90



66009



V

162
(← →)

FN

IV
08



Foto: Fa. Bombardier

Model of a modern double-decker/bilevel car with door entrance steps, as used by DB AG

64220



V

303
(= ⇒)

FN

IV
08

2nd class double-decker/bilevel car, DB AG
UVP € 59.00



Foto: Fa. Bombardier

Model of a modern DB AG double-decker/bilevel car with stair entrance

64222



V

303
(= ⇒)

FN

IV
08

1st/2nd class DB double-decker/bilevel passenger car
UVP € 59.00



Four-axle hopper car with swing roof, epoch V markings of DB AG.

66376



V

250
(= ⇒)

F+B

II
08

Hopper car with swing roof, DB
UVP € 37.80

Set comprising two newly-designed open Eanos-type freight cars, each with a different road/running number.

Foto: Slg. Grubmüller

Two-piece set of open freight cars, type Eanos, DB
UVP € 39.80

Starter sets

New products

H0

Germany

Austria

Switzerland

Italy

Spain

France

Netherlands

Belgium

Luxembourg

Denmark

Norway

Sweden

Finland

Russia

Poland

Hungary

Czech Republic

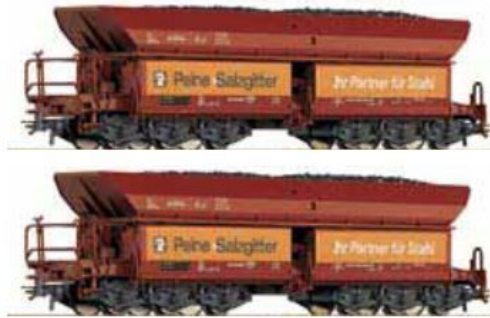
Romania

General items

TT scale

N scale

- Starter sets
- New products
- H0
- Germany
- Austria
- Switzerland
- Italy
- Spain
- France
- Netherlands
- Belgium
- Luxembourg
- Denmark
- Norway
- Sweden
- Finland
- Russia
- Poland
- Hungary
- Czech Republic
- Romania
- General items
- TT scale
- N scale



Three-part car set, each car with a different road/running number.



66005



IV - V

173
(= ⇒)

F+B

I
08

3-part set Peine & Salzgitter ore cars, DB
UVP € 82.00

Set of three freight cars with prototypical special design for coke transportation to the Maxhütte Sulzbach-Rosenberg, with each car bearing a different road/running number.

Foto: Sig. Modelleisenbahn GmbH



45970



V

115
(= ⇒)

FV

I
08

3-part set of "Maxhütte" open freight cars
UVP € 66.00

Car loaded with two containers



66627

DB

V

189
(← →)

F+B

III
08

Container car, DB
UVP € 49.50

Private freight car owned by VTG



66515

PRIVAT

V

145
(← →)

F+B

I
08

Hopper car owned by VTG Aktiengesellschaft
UVP € 24.90

Loaded with two 45' Tchibo containers



66598

DB

V

390
(← →)

F+B

III
08

Double flat car for containers Sggnos 715, DB AG
UVP € 54.00



Starter sets

New products

H0

Germany

Austria

Switzerland

Italy

Spain

France

Netherlands

Belgium

Luxembourg

Denmark

Norway

Sweden

Finland

Russia

Poland

Hungary

Czech Republic

Romania

General items

TT scale

N scale

- Starter sets
- New products
- H0
- Germany
- Austria**
- Switzerland
- Italy
- Spain
- France
- Netherlands
- Belgium
- Luxembourg
- Denmark
- Norway
- Sweden
- Finland
- Russia
- Poland
- Hungary
- Czech Republic
- Romania
- General items
- TT scale
- N scale

Model of a class Rh 93 steam locomotive with Giesl ejector.

Foto: A. Zopf



62243



III - IV

167
← →

FV

II
08

ÖBB steam locomotive class Rh 93
UVP € 209.00

The class 52 steam locomotives which were built during the war were modernized by the Austrian State Railways, ÖBB. They were equipped with a Giesl ejector in order to increase their performance, and a tender with guard cab was added in order to avoid having to run a separate guard van for freight trains.

Foto: H.P. Kern



62271



III FN

IV
08

Rh 52 steam locomotive, ÖBB
UVP € 239.00

After the war, 96 of the Prussian G10 locomotives (later DRG class 57) remained with the Austrian Railway ÖBB. These were used as class 657 in light freight train and shunting services. The last of these locomotives was taken out of service in 1968.



62227



Rh 657 steam locomotive, ÖBB
UVP € 179.00

Special offer diesel locomotives



62833



Dieselelektrische Lok 223 065
der ARRIVA | UVP € 115.00



62834



Dieselelektrische Lok 223 015-8
der PRESS | UVP € 115.00



62835



Diesellok ER 20 Siemens Dispolok
der WLB | UVP € 115.00



62836



Diesellok ER 20 Siemens Dispolok
der BRKS | UVP € 115.00

- Starter sets
- New products
- H0
- Germany
- Austria
- Switzerland
- Italy
- Spain
- France
- Netherlands
- Belgium
- Luxembourg
- Denmark
- Norway
- Sweden
- Finland
- Russia
- Poland
- Hungary
- Czech Republic
- Romania
- General items
- TT scale
- N scale



62407  IV $\left(\begin{smallmatrix} 234 \\ \leftarrow \rightarrow \end{smallmatrix} \right)$ F+B $\frac{II}{08}$

Rh 1189.02 electric locomotive, ÖBB
UVP € 185.00



62446  IV $\left(\begin{smallmatrix} 165 \\ \leftarrow \rightarrow \end{smallmatrix} \right)$ F+B $\frac{I}{08}$

Rh 1670 electric locomotive, ÖBB
UVP € 224.00

A version of the class Rh 1670 with short roof and sun shades above the windows, in epoch IV colors and markings.



Model of a class Rh 1042.0 locomotive in its original design.

62590  III - IV $\left(\begin{smallmatrix} 186 \\ \leftarrow \rightarrow \end{smallmatrix} \right)$ FN $\frac{II}{08}$

Rh 1042.0 electric locomotive, ÖBB
UVP € 175.00



Foto: K. Steiner

A model of ÖBB's new multiple traction energy system "Taurus" locomotives, with "Europa" markings and color scheme.

62487



V

225
(= ⇒)

F+B

II
08

Electric locomotive, class Rh 1216 with "Europa" design, ÖBB | UVP € 173.00



62823



V

142
(= ⇒)

F+B

I
08

In the mid-nineties, ÖBB purchased 36 locomotives of DB's class 211 and added these to its rolling stock with the designation Rh 2048. The engines were used in freight train services, primarily on branch lines. This new version of the model has a changed road/running number.

Rh 2048 diesel locomotive, ÖBB
UVP € 109.00



62824



V

142
(= ⇒)

F+B

I
08

Same design as 62823, but supplied with built-in digitally controlled coupling.

Rh 2048 diesel locomotive with built-in digital coupler, ÖBB
UVP € 169.00

In 1964 ÖBB ordered the series VT 98 rail buses, which had proved their worth in Germany, for light passenger train services. Uerdinger Waggonfabriken supplied the first three vehicles, designated class Rh 5081.01-03. The rail buses put into service later on were copied under license by the Jenbacher Werke and SGP Wien. The two-unit Roco model is a new version of the model of the ÖBB rail buses built in Uerdingen.



63017



IV

320
(= ⇒)

F+B

I
08

Rh 5081 rail bus, ÖBB
UVP € 145.00

Starter sets

New products

H0

Germany

Austria

Switzerland

Italy

Spain

France

Netherlands

Belgium

Luxembourg

Denmark

Norway

Sweden

Finland

Russia

Poland

Hungary

Czech Republic

Romania

General items

TT scale

N scale

- Starter sets
- New products
- H0
- Germany
- Austria
- Switzerland
- Italy
- Spain
- France
- Netherlands
- Belgium
- Luxembourg
- Denmark
- Norway
- Sweden
- Finland
- Russia
- Poland
- Hungary
- Czech Republic
- Romania
- General items
- TT scale
- N scale

Same design as 63017, but with integrated digital sound. Running noises are synchronized with speed noise, signal horn can be sounded separately; sound not possible with analog control mode.



63018



IV

320
(← →)

F+B



I
08

Rh 5081 rail bus with sound, ÖBB
UVP € 268.00

Trailer car to go with Roco model 63017/63018 with special close coupling



63019



IV

160
(← →)

F+B

I
08

Rh 7081 rail bus trailer car
UVP € 49.00

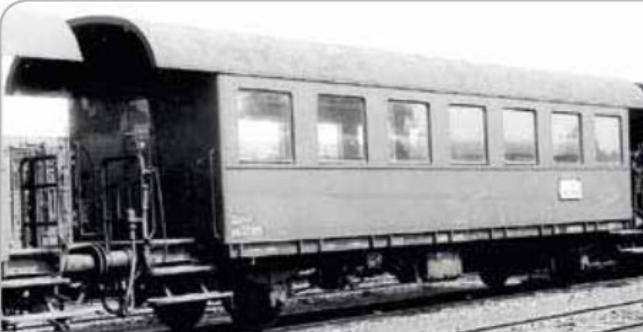


Foto: Hermann Heless

From 1928 onwards, BBÖ modernized its passenger car fleet using newly-designed 2-axle passenger cars, which were also simply described as Type N28. This model version has a completely new design and construction and reproduces a car with full windows.

64240



III - IV

156
(← →)

FN

IV
08

2nd class passenger car, type N28
UVP € 28.90



Foto: Hermann Heless

From 1928 onwards, BBÖ modernized its passenger car fleet by using newly-designed 2-axle passenger cars, which were also simply described as Type N28. This model version has full windows and a changed road/running number.

64241



III - IV

156
(← →)

FN

IV
08

2nd class passenger car, type N28
UVP € 28.90

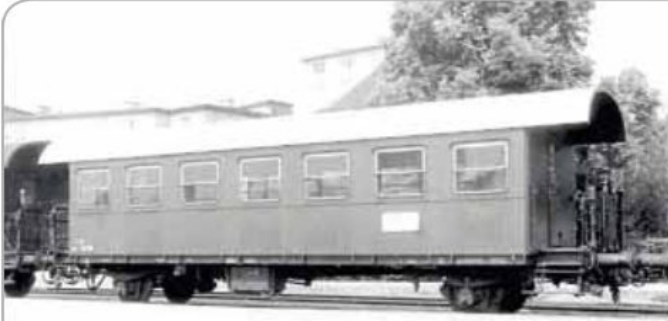


Foto: Hermann Heless

From 1928 onwards, BBÖ modernized its passenger car fleet by introducing newly-designed 2-axle passenger cars, which were also simply described as Type N28. This is a model of a car with half- windows which were fitted to some of these cars in the course of modernization work.

64242



III - IV

156
(= ⇒)

FN

IV
08

2nd class passenger car, type N28
UVP € 28.90

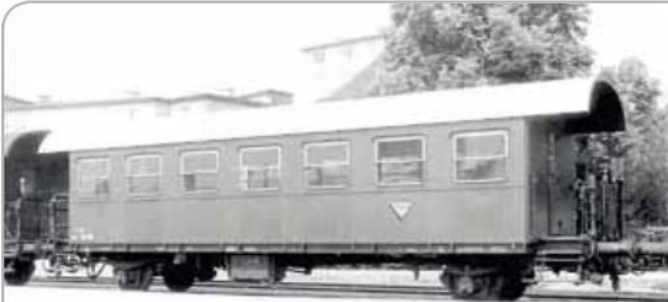


Foto: Hermann Heless

From 1928 onwards, BBÖ modernized its passenger car fleet by introducing newly-designed 2-axle passenger cars, which were also simply described as Type N28. This is a model of a car with half-windows and changed road/running number.

64243



III - IV

156
(= ⇒)

FN

IV
08

2nd class passenger car, type N28
UVP € 28.90



Foto: Hermann Heless

As part of the measures to modernize its passenger car fleet by introduction of the newly-designed 2-axle, type N28 passenger cars, ÖBB also introduced this new baggage car.

64244



III - IV

156
(= ⇒)

FN

IV
08

Baggage car, type N28
UVP € 28.90

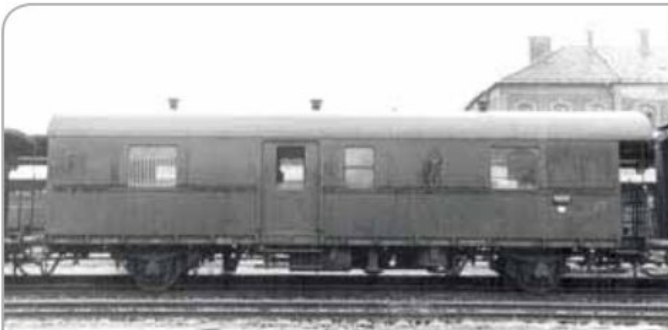


Foto: Hermann Heless

The Austrian postal services, too, made use of the new type N28 post/mail car. This was operated by ÖBB as a private car.

64245



III - IV

156
(= ⇒)

FN

IV
08

Post/mail car, type N28
UVP € 28.90

Starter sets

New products

HO

Germany

Austria

Switzerland

Italy

Spain

France

Netherlands

Belgium

Luxembourg

Denmark

Norway

Sweden

Finland

Russia

Poland

Hungary

Czech Republic

Romania

General items

TT scale

N scale

- Starter sets
- New products
- HO
- Germany
- Austria
- Switzerland
- Italy
- Spain
- France
- Netherlands
- Belgium
- Luxembourg
- Denmark
- Norway
- Sweden
- Finland
- Russia
- Poland
- Hungary
- Czech Republic
- Romania
- General items
- TT scale
- N scale

Model with gray roof



45529



IV - V

303
(= ⇒)

F+B

II
08

1st/2nd class passenger car with center door, ÖBB
UVP € 54.90

Model with gray roof



45530



IV - V

303
(= ⇒)

F+B

II
08

2nd class passenger car with center door, ÖBB
UVP € 54.90

Model with gray roof



45531



IV - V

303
(= ⇒)

F+B

II
08

2nd class passenger car with center door and
baggage compartment, ÖBB | UVP € 54.90

Express train car type RIC-Z2 with changed
road/running number and tail lights which
can be switched on/off.



45835



V

303
(= ⇒)

F+B

III
08

2nd class RIC express train car, ÖBB
UVP € 65.90



46472



III

98
(= →)

F+B

III
08

Dust silo car, ÖBB
UVP € 30.80



46967



III

115
(= →)

F+B

II
08

Freight train guard car, ÖBB
UVP € 19.90

Set comprising three Talbot ballast cars with differing road/running numbers.



66007



III

79
(= →)

F+B

II
08

Three-piece set of ballast cars, ÖBB
UVP € 57.00

All three cars have different road/running numbers and are loaded with coal.



66011



III

115
(= →)

F+B

II
08

Three-piece set of open freight cars, ÖBB
UVP € 48.50

Starter sets

New products

H0

Germany

Austria

Switzerland

Italy

Spain

France

Netherlands

Belgium

Luxembourg

Denmark

Norway

Sweden

Finland

Russia

Poland

Hungary

Czech Republic

Romania

General items

TT scale

N scale

- Starter sets
- New products
- HO
- Germany
- Austria
- Switzerland
- Italy
- Spain
- France
- Netherlands
- Belgium
- Luxembourg
- Denmark
- Norway
- Sweden
- Finland
- Russia
- Poland
- Hungary
- Czech Republic
- Romania
- General items
- TT scale
- N scale



Re-designed version of an open freight car, type Eanos

Foto: Hermann Heless

66502  V $\frac{162}{(= \Rightarrow)}$ FN $\frac{IV}{08}$

Four-axle open freight car, type Eanos, ÖBB
UVP € 19.90



In order to be able to increase the number of bicycles transported, ÖBB operates a number of Gbs class box cars which can be hauled in regular local service trains.

Foto: K.Steiner

66666  V $\frac{161}{(= \Rightarrow)}$ F+B $\frac{I}{08}$

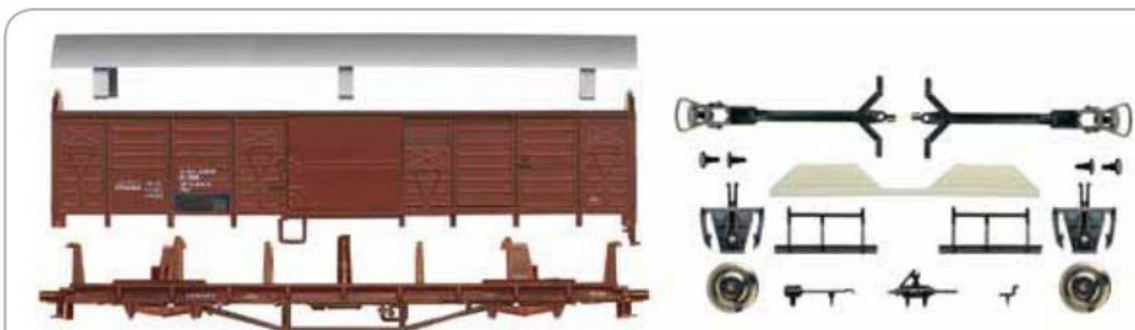
Bicycle transport car, ÖBB
UVP € 27.50



Loaded with GARTNER semi-trailer

66700  V $\frac{189}{(= \Rightarrow)}$ F+B $\frac{I}{08}$

Standard deep-well car, ÖBB
UVP € 36.00



66397  IV $\frac{139}{(= \Rightarrow)}$ F+B $\frac{I}{08}$

Box car model kit
UVP € 12.80

Special offer sliding canopy car



67725

V

Schiebeplanwagen DB AG
UVP € 17.50



67726

V

Schiebeplanwagen RAILION
UVP € 17.50



67727

V

Schiebeplanwagen EVA
UVP € 17.50



67728

V

Schiebeplanwagen On Rail
UVP € 17.50



67729

V

Schiebeplanwagen NS CARGO
UVP € 17.50



67730

V

Schiebeplanwagen CFL
UVP € 17.50

- Starter sets
- New products
- H0
- Germany
- Austria
- Switzerland**
- Italy
- Spain
- France
- Netherlands
- Belgium
- Luxembourg
- Denmark
- Norway
- Sweden
- Finland
- Russia
- Poland
- Hungary
- Czech Republic
- Romania
- General items
- TT scale
- N scale



Model of the elaborately decorated advertising locomotive of Swiss railways (SBB) for the UEFA 2008 championships in Switzerland and Austria.

Foto: M. Stefanie

62396



V

212
(= ⇒)

F+B

I
08

SBB electric locomotive Re 460, "UEFA EURO 2008"
UVP € 145.00



The Swiss National Railway started operating the 7-unit electric railcars for InterCity traffic in Switzerland in 1999. On curved stretches, the integrated tilting technology allows trains to travel 10 to 20% faster than trains hauled by locomotives.

Foto: SBB AG

63150



V

FN

ICN electric railcar, SBB
price not yet available



Model of an Ae 3/6 of the Swiss national railway (SBB) without doors to passenger cars.

Foto: E. Suter

62401



III - IV

163
(= ⇒)

FV

III
08

Electric locomotive Ae 3/6 II, SBB
UVP € 254.00



New edition of the Swiss Gotthard express train locomotive with reproduction of the front transition door and new operating number.

62545



IV - V

190
(= ⇒)

F+B

I
08

Electric locomotive Be 4/6, SBB
UVP € 149.00



Model version with green paintwork and "Graubünden" canton coat of arms

63878



V

212
(= ⇒)

F+B

III
08

Electric locomotive Ae 6/6, SBB
UVP € 159.00

Starter sets

New products

H0

Germany

Austria

Switzerland

Italy

Spain

France

Netherlands

Belgium

Luxembourg

Denmark

Norway

Sweden

Finland

Russia

Poland

Hungary

Czech Republic

Romania

General items

TT scale

N scale



Foto: E. Suter

With the characteristic yellow warning strips on the front sides

63879



IV

V

175
(= ⇒)

F+B

II
08

Electric baggage railcar De 4/4, SBB
UVP € 159.00

Starter sets

New products

H0

Germany

Austria

Switzerland

Italy

Spain

France

Netherlands

Belgium

Luxembourg

Denmark

Norway

Sweden

Finland

Russia

Poland

Hungary

Czech Republic

Romania

General items

TT scale

N scale



Model of a BR 185, second design version of ANGEL-TRAINS, rented out to BLS.

62504

BLS

V

217
(= ⇒)

F+B

III
08

Electric locomotive BR 185.2, BLS
UVP € 159.00

Foto: R. Willen



Model of an Ae 4/4 in dark brown

63886

BLS

IV - V

179
(= ⇒)

FV

II
08

Electric locomotive Ae 4/4, BLS
UVP € 198.00

Sleeping car of the Swiss national railway (SBB) in "moon and stars" design



45073



V

303
(← →)

FN

III
08

Sleeping car, SBB
UVP € 47.50

Baggage car RIC with computer number



45595



IV - V

FN

I
08

Baggage car RIC, SBB
UVP € 52.50



New design of a dual-axle silo car, which was mainly used for transporting cement. All cars have different road/running numbers.



Foto: SBB Historic



Historic

Stiftung Historisches Erbe der SBB
Fondation pour le patrimoine historique des CFF
Fondazione per il patrimonio storico delle FFS

66012



III

FN

IV
08

3-piece set of silo cars, SBB
UVP € 87.00

Starter sets

New products

H0

Germany

Austria

Switzerland

Italy

Spain

France

Netherlands

Belgium

Luxembourg

Denmark

Norway

Sweden

Finland

Russia

Poland

Hungary

Czech Republic

Romania

General items

TT scale

N scale

- Starter sets
- New products
- H0
- Germany
- Austria
- Switzerland
- Italy
- Spain
- France
- Netherlands
- Belgium
- Luxembourg
- Denmark
- Norway
- Sweden
- Finland
- Russia
- Poland
- Hungary
- Czech Republic
- Romania
- General items
- TT scale
- N scale



Box car of Swiss postal services, operated by SBB as a private car.

66360 III IV $\frac{107}{(- \Rightarrow)}$ F+B $\frac{II}{08}$

Post/mail box car, SBB
UVP € 19.90



K3 -type boxcar with label "Gleisbau" (track work)

66208 V $\frac{113}{(- \Rightarrow)}$ F+B $\frac{II}{08}$

Boxcar "Gleisbau" der SBB
UVP € 27.60



66340 III $\frac{168}{(- \Rightarrow)}$ F+B $\frac{I}{08}$

Sliding wall/sliding roof boxcar with brake platform, SBB | UVP € 23,65



Private wagon from WASCOSA company, used by SBB

Foto: Slg. Modelleisenbahn GmbH

66467 V $\frac{204}{(- \Rightarrow)}$ F+B $\frac{III}{08}$

WASCOSA gas wagon, SBB
UVP € 30,65

AAE, Ahaus Alstätter Eisenbahn AG, rents out rail cars throughout Europe. These are employed as private wagons/cars by various European rail administrations and operate throughout Europe.



66564

PRIVAT

V

390
(= ⇒)

FN

II
08

Double flat car for containers, AAE, loaded with post/mail containers | UVP € 59.90

2-axle, swing-roof gondola car for bulk goods which need protecting against water and damp



66522



V

111
(= ⇒)

F+B

II
08

Swing-roof gondola, SBB
UVP € 21.90

Loaded with two containers



66623



V

189
(= ⇒)

F+B

III
08

Container car, SBB
UVP € 49.50

2-section intermodal freight car for combined road-rail transport, loaded with two semi-trailers of the haulage company "Schöni"



66604



V

380
(= ⇒)

F+B

II
08

Intermodal freight car, SBB
UVP € 63.50

Starter sets

New products

HO

Germany

Austria

Switzerland

Italy

Spain

France

Netherlands

Belgium

Luxembourg

Denmark

Norway

Sweden

Finland

Russia

Poland

Hungary

Czech Republic

Romania

General items

TT scale

N scale

- Starter sets
- New products
- H0
- Germany
- Austria
- Switzerland
- Italy
- Spain
- France
- Netherlands
- Belgium
- Luxembourg
- Denmark
- Norway
- Sweden
- Finland
- Russia
- Poland
- Hungary
- Czech Republic
- Romania
- General items
- TT scale
- N scale

Loaded with a post bus, Type Saurer



66683



III

162
(= ⇒)

F+B

IV
08

Stake car, SBB
UVP € 32.50



Foto: di Fabio

Model of a class E 656 locomotive in the up-to-date XMPR livery with logo

62563



V

210
(= ⇒)

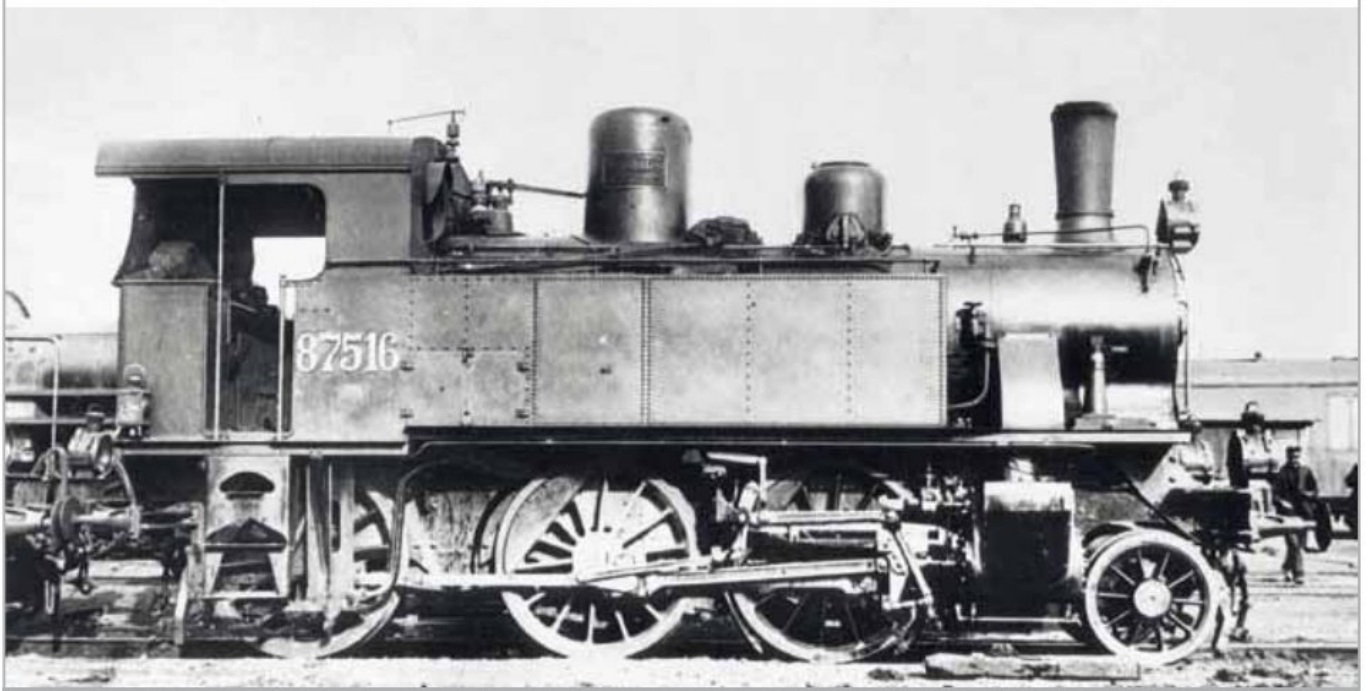
F+B

IV
08

E.656 electric locomotive, FS
UVP € 194.00

The locomotives described as BR 880 in later periods, were supplied to the Italian state railway as Grupo 875 from 1916 onwards, and were used on subsidiary tracks throughout Italy. This model is of a locomotive with open-back driver's cabin.

Foto: M. Mingari



63275



II

107
(= ⇒)

FV

III
08

Steam locomotive BR 875 of the FS
UVP € 169.00

Model of a Series E 656 locomotive with grey/green paint finish.



62568

FS

IV

FN

210
(= ⇒)

III
08

Electric locomotive E.656 of the FS
UVP € 194.00



Model of an Italian series 2000 diesel locomotive D.343 with round front

62870

FS

IV

153
(= ⇒)

FV

III
08

FS diesel locomotive D.343
UVP € 145.00

Starter sets

New products

H0

Germany

Austria

Switzerland

Italy

Spain

France

Netherlands

Belgium

Luxembourg

Denmark

Norway

Sweden

Finland

Russia

Poland

Hungary

Czech Republic

Romania

General items

TT scale

N scale

- Starter sets
- New products
- H0
- Germany
- Austria
- Switzerland
- Italy**
- Spain
- France
- Netherlands
- Belgium
- Luxembourg
- Denmark
- Norway
- Sweden
- Finland
- Russia
- Poland
- Hungary
- Czech Republic
- Romania
- General items
- TT scale
- N scale



63114 FS III IV 640 (← →) F+B II 08

Series 50000 car in castano / isabella paint finish



45550 FS III 242 (← →) F+B IV 08

1st class passenger train car of the FS
UVP € 49.90

Series 50000 car in castano / isabella paint finish



45552 FS III 242 (← →) F+B IV 08

1st and 2nd class passenger train car of the FS
UVP € 49.90



45614 FS IV 303 (← →) F+B II 08

Sleeper car, type U-Hansa, FS
UVP € 44.90



Diesel multiple unit ALn 448/460 of the FS
UVP € 234.00



Foto: Slg. Faustini

66412

FS

III

115
(= ⇒)

F+B

I
08

Open goods car with cover of the FS
UVP € 24.80



Foto: Slg. Faustini

66504

FS

V

162
(= ⇒)

FN

IV
08

New design of an Eanos-type open goods car with XM-PR-Trenitalia logo

Four-axis open goods car Eanos of the FS
UVP € 19.90



Car is loaded with an SAE semi-trailer

66701

FS

V

189
(= ⇒)

F+B

II
08

Standard deep-well flat car, FS
UVP € 36.00

Starter sets

New products

H0

Germany

Austria

Switzerland

Italy

Spain

France

Netherlands

Belgium

Luxembourg

Denmark

Norway

Sweden

Finland

Russia

Poland

Hungary

Czech Republic

Romania

General items

TT scale

N scale

Completely new design

Foto: Stig. Alarcon



63810



138
(← →)

FN

IV
08

Electric locomotive Series E1000 ESTADO of the RENFE
UVP € 195.00

Completely new design

Foto: Stig. Alarcon



63811



138
(← →)

FN



IV
08

Electric locomotive series E1000 of the RENFE
with sound | UVP € 318.00

Starter sets

New products

H0

Germany

Austria

Switzerland

Italy

Spain

France

Netherlands

Belgium

Luxembourg

Denmark

Norway

Sweden

Finland

Russia

Poland

Hungary

Czech Republic

Romania

General items

TT scale

N scale



Foto: Slg. Alarcon

Painted green, the standard color of the Spanish national railway.

62726



Diesel locomotive D 333, RENFE
UVP € 193.00



Foto: Slg. Alarcon

Same design as model 62726, but with integrated digital sound. Running noise synchronized to speed, starting sound and signal horn can be switched separately, no sound possible in analog control mode.

62727



Diesel locomotive D 333 with sound, RENFE
UVP € 315.00



Foto: Slg. Alarcon

Model of a BR 319.3 used by the Spanish national railway, in latest color.

62757



Diesel-electric locomotive BR 319.3, RENFE
UVP € 175.00



Foto: Slg. Alarcon

Same design as model 62757, but with integrated digital sound. Running noise synchronized to speed, starting sound and signal horn can be switched separately, no sound possible in analog control mode.

62758



Diesel-electric locomotive BR 319.3, with sound, RENFE | UVP € 298.00

Starter sets

New products

H0

Germany

Austria

Switzerland

Italy

Spain

France

Netherlands

Belgium

Luxembourg

Denmark

Norway

Sweden

Finland

Russia

Poland

Hungary

Czech Republic

Romania

General items

TT scale

N scale

- Starter sets
- New products
- H0
- Germany
- Austria
- Switzerland
- Italy
- Spain**
- France
- Netherlands
- Belgium
- Luxembourg
- Denmark
- Norway
- Sweden
- Finland
- Russia
- Poland
- Hungary
- Czech Republic
- Romania
- General items
- TT scale
- N scale

Series 9000 car in OP paint finish.



45777



V

303
(= ⇒)

F+B

III
08

1st class express train car, RENFE
UVP € 37.90

Series 9100 car in OP paint finish.



45778



V

303
(= ⇒)

F+B

III
08

1st class express train car, RENFE
UVP € 37.90

Series 9200 car in OP paint finish.



45779



V

303
(= ⇒)

F+B

III
08

2nd class express train car, RENFE
UVP € 37.90

Series 9700 car in OP paint finish.



45781



V

303
(= ⇒)

F+B

III
08

1st class cafeteria car, RENFE
UVP € 37.90

Series 9800 car in OP paint finish.



2nd class cafeteria car, RENFE
UVP € 37.90

45782



V

303
(= ⇒)

F+B

III
08

Series 9900 car in OPERADORA paint finish.



Dining car, RENFE
UVP € 37.90

45783



V

303
(= ⇒)

F+B

III
08

The series BB 900 locomotives belong to the family of MIDI locomotives and were taken into service from 1936 onwards. These multi-purpose locomotives were used to haul medium-heavy passenger and freight trains.



Foto: J.M. Louvet

Electric locomotive BB 900, SNCF
UVP € 149.00

62610



IV

150
(= ⇒)

FN

III
08

Starter sets

New products

H0

Germany

Austria

Switzerland

Italy

Spain

France

Netherlands

Belgium

Luxembourg

Denmark

Norway

Sweden

Finland

Russia

Poland

Hungary

Czech Republic

Romania

General items

TT scale

N scale



Foto: J.M. Louvet

62472



IV

200
(= ⇒)

FV

III
08

Electric locomotive 2D2 9100 GRG 1, SNCF
UVP € 249.00



Foto: J.M. Louvet

62477



IV

200
(= ⇒)

FV

III
08

Electric locomotive 2D2 9100 GRG 2, SNCF
UVP € 249.00

Model of a 2D2 9100 GRG 2 with spoked leading wheels.



Model of a BB 22200 electric locomotive of the FRET business sector, with cap logo.

62469



V

220
(= ⇒)

F+B

I
08

Electric locomotive BB 22200, SNCF
UVP € 135.00



Foto: J.M. Louvet

62521



V

188
(= ⇒)

F+B

IV
08

Electric locomotive BB 9200 Oullins, SNCF
UVP € 167.00

Starter sets

New products

H0

Germany

Austria

Switzerland

Italy

Spain

France

Netherlands

Belgium

Luxembourg

Denmark

Norway

Sweden

Finland

Russia

Poland

Hungary

Czech Republic

Romania

General items

TT scale

N scale



Foto: J.M. Louvet

Model with the latest Carmillon logo of the French state railway.

45376



V

303
(= ⇒)

F+B

IV
08

2nd class slumber coach, SNCF
UVP € 57.90



Foto: J.M. Louvet

Model with the latest Carmillon logo of the French state railway.

45387



V

303
(= ⇒)

F+B

III
08

1st class slumber coach, SNCF
UVP € 57.90



Set comprising a 1st/2nd class Corail car and a 2nd class Corail car with baggage compartment.

Foto: J.M. Louvet



64002



IV

303
(= ⇒)

FV

IV
08

2-piece set, Corail passenger train car, SNCF
UVP € 109.00

Starter sets

New products

H0

Germany

Austria

Switzerland

Italy

Spain

France

Netherlands

Belgium

Luxembourg

Denmark

Norway

Sweden

Finland

Russia

Poland

Hungary

Czech Republic

Romania

General items

TT scale

N scale

- Starter sets
- New products
- H0
- Germany
- Austria
- Switzerland
- Italy
- Spain
- France
- Netherlands
- Belgium
- Luxembourg
- Denmark
- Norway
- Sweden
- Finland
- Russia
- Poland
- Hungary
- Czech Republic
- Romania
- General items
- TT scale
- N scale



Foto: J.M. Louvet

Type TA 378 car carrier with changed operating number

66541 PRIVAT V 305 (← →) F+B II 08

Car carrier, STVA
UVP € 48.80



2-piece set, additional car

63141  III FN IV 08

Additional car for electric rail car train
Blokkendoos, NS | UVP € 125.00



63140  III F+B IV 08

3-piece set, type 1 garbage car, NS
UVP € 82.50



Foto: Slg. Modelleisenbahn GmbH

New design of the model of a type 1 garbage car used by the Netherlands state railway.

66025  III FN IV 08

Foto: M. Hauer



62580



IV

V

150
(= ⇒)

FV

II
08

Electric locomotive 1100 "Botsneus", NS
UVP € 139.00



4-unit electric rail car train, Blokkendoos, NS
UVP € 289.00



66006



V

111
(= ⇒)

F+B

II
08

2-piece set, RAILPRO ballast wagon, NS
UVP € 49.50

Starter sets

New products

H0

Germany

Austria

Switzerland

Italy

Spain

France

Netherlands

Belgium

Luxembourg

Denmark

Norway

Sweden

Finland

Russia

Poland

Hungary

Czech Republic

Romania

General items

TT scale

N scale

- Starter sets
- New products
- H0
- Germany
- Austria
- Switzerland
- Italy
- Spain
- France
- Netherlands**
- Belgium
- Luxembourg
- Denmark
- Norway
- Sweden
- Finland
- Russia
- Poland
- Hungary
- Czech Republic
- Romania
- General items
- TT scale
- N scale

Loaded with a Leopard II A Netherlands army tank



66390  **V**  **F+B** 

Heavy-duty flat car, NS
UVP € 31.90

Loaded with a 20' RAILPRO container



66678  **V**  **F+B** 

Flat car with container (COFC), NS
UVP € 26.50

Former Prussian compartment car



45533  **III**  **F+B** 

3rd class compartment car, SNCB
UVP € 33.30

Former Prussian compartment car without brakeman's cab



45534  **III**  **F+B** 

2nd class compartment car, SNCB
UVP € 33.30

Latest model of the Eurofima express train car, Belgian state railway



45706



V

303
(= ⇒)

F+B

II
08

1st class express train car, SNCB
UVP € 44.90

Latest model of Eurofima express train car, Belgian state railway



45708



V

303
(= ⇒)

F+B

II
08

2nd class express train car, SNCB
UVP € 44.90



66664



IV

161
(= ⇒)

F+B

I
08

Covered boxcar, SNCB
UVP € 22.00



45882



V

303
(= ⇒)

F+B

II
08

1st/2nd class passenger car for commuter traffic, CFL | UVP € 49.90

Starter sets

New products

H0

Germany

Austria

Switzerland

Italy

Spain

France

Netherlands

Belgium

Luxembourg

Denmark

Norway

Sweden

Finland

Russia

Poland

Hungary

Czech Republic


Romania

General items

TT scale


N scale

- Starter sets
- New products
- HO
- Germany
- Austria
- Switzerland
- Italy
- Spain
- France
- Netherlands
- Belgium
- Luxembourg**
- Denmark
- Norway
- Sweden
- Finland
- Russia
- Poland
- Hungary
- Czech Republic
- Romania
- General items
- TT scale
- N scale




45883 **CFL** V $\frac{303}{(= \Rightarrow)}$ F+B $\frac{II}{08}$ 2nd class passenger car for commuter traffic, CFL
UVP € 49.90

With changed road/running number



45884 **CFL** V $\frac{303}{(= \Rightarrow)}$ F+B $\frac{II}{08}$ 2nd class passenger car for commuter traffic, CFL
UVP € 49.90

Loaded with steel girders



47766 **CFL** V $\frac{197}{(= \Rightarrow)}$ F+B $\frac{II}{08}$ Four-axis flatcar, CFL
UVP € 37.50

Swivel stake car, loaded with wire coils



66684 **CFL** IV $\frac{162}{(= \Rightarrow)}$ F+B $\frac{II}{08}$ Stake car, CFL
UVP € 30.90



Foto: Sig. Modelleisenbahn GmbH

62261 DSB III 264 (← →) FV III 08

Steam locomotive Litra N, DSB
UVP € 235.00



Model of a NOHAB-type diesel locomotive in authentic paint finish of the epochs III to IV of the Danish state railways

62852 DSB III IV 218 (← →) F+B I 08

Nohab diesel locomotive MY, DSB
UVP € 159.00



Same design as model 62852, but with integrated digital sound. Running noise synchronized to speed. Starting sound and signal horn can be switched separately, no sound possible in analog control mode.

62853 DSB III IV 218 (← →) F+B (🔊) I 08

Nohab diesel locomotive MY, DSB
UVP € 279.00

Danish state railway passenger train car with DSB logo and changed operating number.

1:100



45335 DSB IV 264 (← →) F+B I 08

2nd class passenger train car, DSB
UVP € 29.50

Starter sets

New products

H0

Germany

Austria

Switzerland

Italy

Spain

France

Netherlands

Belgium

Luxembourg

Denmark

Norway

Sweden

Finland

Russia

Poland

Hungary

Czech Republic

Romania

General items

TT scale

N scale

- Starter sets
- New products
- H0
- Germany
- Austria
- Switzerland
- Italy
- Spain
- France
- Netherlands
- Belgium
- Luxembourg
- Denmark**
- Norway
- Sweden
- Finland
- Russia
- Poland
- Hungary
- Czech Republic
- Romania
- General items
- TT scale
- N scale

Danish state railway passenger train car with DSB crown logo.

1:100



45336 DSB IV 264 (← →) F+B I 08

2nd class passenger train car, DSB
UVP € 29.50

Danish state railway passenger train car with baggage compartment and DSB crown logo

1:100



45337 DSB IV 264 (← →) F+B I 08

2nd class passenger train car with baggage compartment, DSB | UVP € 29.50

Loaded with pipes



66715 DSB IV 228 (← →) F+B II 08

Stake car, DSB
UVP € 39.50

The locomotives of production line 57 still used in Norway after the 2nd World War, were taken over by the Norwegian state railway as series 61 of their locomotive stock.



62229 NSB III 217 (← →) F+B III 08

Steam locomotive, series 61, NSB
UVP € 184.00



Foto: Slg. Modelleisenbahn GmbH

Re-edition of the model of an EI16 electric locomotive belonging to the Norwegian state railway in current CargoNet design. Owing to the unusual shape of the driver's cabin, the locomotive was given the nickname "Shark".

63875



V

180
(= =>)

F+B

I
08

EI 16 CargoNet electric locomotive
UVP € 170.00



Foto: Slg. Modelleisenbahn GmbH

EI16 electric locomotive with current paintwork and lettering of the Norwegian state railway.

63876



V

180
(= =>)

F+B

I
08

EI 16 electric locomotive, NSB
UVP € 170.00



Foto: F. Moe

63877



V

180
(= =>)

F+B

IV
08

EI 16 CargoNet electric locomotive, NSB
UVP € 170.00



63503



V

212
(= =>)

F+B

I
08

EL18 electric locomotive, NSB
UVP € 145.00

Starter sets

New products

H0

Germany

Austria

Switzerland

Italy

Spain

France

Netherlands

Belgium

Luxembourg

Denmark

Norway

Sweden

Finland

Russia

Poland

Hungary

Czech Republic

Romania

General items

TT scale

N scale

- Starter sets
- New products
- H0
- Germany
- Austria
- Switzerland
- Italy
- Spain
- France
- Netherlands
- Belgium
- Luxembourg
- Denmark
- Norway
- Sweden
- Finland
- Russia
- Poland
- Hungary
- Czech Republic
- Romania
- General items
- TT scale
- N scale



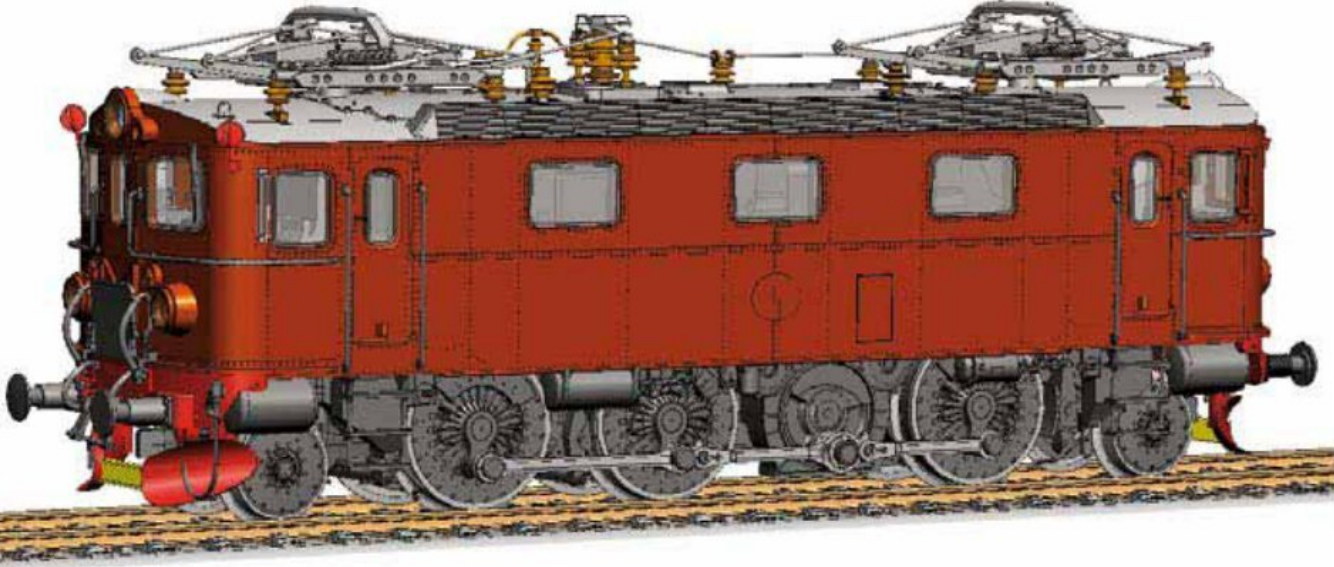
45844  III - IV $\left(\begin{smallmatrix} 240 \\ \leftarrow \rightarrow \end{smallmatrix} \right)$ F+B $\frac{II}{08}$ 2nd class passenger train car, NSB
UVP € 38.90




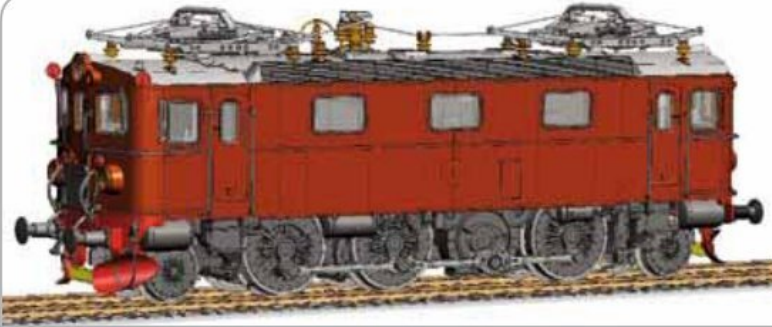
66017  V $\left(\begin{smallmatrix} 305 \\ \leftarrow \rightarrow \end{smallmatrix} \right)$ F+B $\frac{II}{08}$ 3-piece set, car carrier, NSB
UVP € 146.00

Foto: F. Moe

Between 1953 and 1960, ASEA built 93 multi-purpose type-Da electric locomotives for the Swedish national railway (SJ). These rod-driven electric locomotives with the 1'C1' axle sequence weigh 75 tons and have an output of 1840 kW; they run at 100km/h and are double-heading-capable. In the mid-Nineties several machines were sold to private Swedish rail companies and are still being run by them today.



62530  III - IV $\left(\begin{smallmatrix} 151 \\ \leftarrow \rightarrow \end{smallmatrix} \right)$ FN $\frac{II}{08}$ Da electric locomotive, SJ
UVP € 219.00



Version with integrated digital sound. Running noise is synchronized with the running speed; starting sound and horn can be switched separately. No sound is possible in analog mode.

62533



III - IV

151
(= >)

FN



II
08

Da electric locomotive, SJ
UVP € 339.00



66670

LKAB

V

101
(= >)

FN

IV
08

4-piece ore-car set, LKAB
UVP € 99.00



Model of Sr2 electric locomotive of the Finnish state railways

62397



V

212
(= >)

F+B

I
08

Electric locomotive Sr2, VR
UVP € 145.00

Starter sets

New products

H0

Germany

Austria

Switzerland

Italy

Spain

France

Netherlands

Belgium

Luxembourg

Denmark

Norway

Sweden

Finland

Russia

Poland

Hungary

Czech Republic

Romania

General items

TT scale

N scale

- Starter sets
- New products
- H0
- Germany
- Austria
- Switzerland
- Italy
- Spain
- France
- Netherlands
- Belgium
- Luxembourg
- Denmark
- Norway
- Sweden
- Finland
- Russia
- Poland
- Hungary
- Czech Republic
- Romania
- General items
- TT scale
- N scale

Diesel locomotive of the Russian state railway



62788 **RZD** V 202 (← →) F+B II 08

M 62 diesel locomotive, RZD
UVP € 159.00

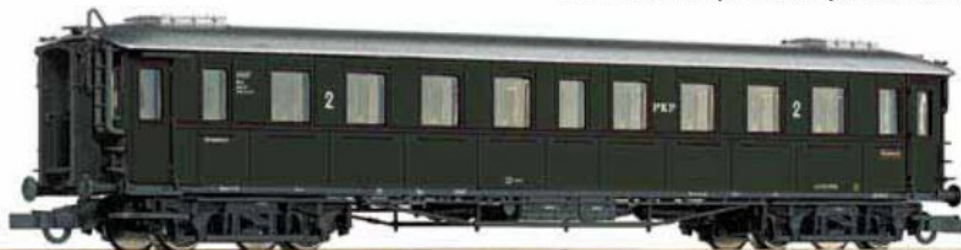
Series 57 steam locomotive, called Tw1 by the Polish state railway (Polskie Koleje Panstwowe)



62226 **PKP** III 217 (← →) F+B III 08

Tw1 steam locomotive, PKP
UVP € 184.00


The express passenger cars originally built in Wuerttemberg in Germany and which remained in Poland after the Second World War were taken over by the Polish state railway, Polski Koleje Panstwowe, and are still used on fast passenger lines.



45493 **PKP** III 222 (← →) F+B III 08

2nd class express passenger train car used by the PKP | UVP € 39.90

Compartment car of Prussian construction and design



45535 **PKP** III 150 (← →) F+B II 08

1st class passenger train car used by the PKP | UVP € 33.30

Standard passenger car with the nickname
"Donnerbüchse" (thunder box)



45567 PKP III 160 (← →) F+B II 08

2nd class passenger car used by the PKP
UVP € 23,45



45845 PKP III 249 (← →) F+B IV 08

1st class express passenger train car used by
the PKP | UVP € 40.90



45846 PKP III 226 (← →) F+B IV 08

2nd class express passenger train car used
by the PKP | UVP € 40.90



45847 PKP III 226 (← →) F+B IV 08

Baggage car, PKP
UVP € 40.90

Starter sets

New products

HO

Germany

Austria

Switzerland

Italy

Spain

France

Netherlands

Belgium

Luxembourg

Denmark

Norway

Sweden

Finland

Russia

Poland

Hungary

Czech Republic

Romania

General items

TT scale

N scale

- Starter sets
- New products
- H0
- Germany
- Austria
- Switzerland
- Italy
- Spain
- France
- Netherlands
- Belgium
- Luxembourg
- Denmark
- Norway
- Sweden
- Finland
- Russia
- Poland
- Hungary**
- Czech Republic
- Romania
- General items
- TT scale
- N scale



Model of a NOHAB-type diesel locomotive with authentic epoche IV-V paintwork and lettering of the Hungarian state railway

62850  IV V $\begin{matrix} 218 \\ (= \Rightarrow) \end{matrix}$ F+B $\frac{I}{08}$

M61 diesel locomotive, MÁV
UVP € 159.00




Same design as model 62850, but with integrated digital sound. Running noise synchronized with running speed, starting sound and horn can be switched separately, sound not possible in analog control mode.

62851  IV V $\begin{matrix} 218 \\ (= \Rightarrow) \end{matrix}$ F+B  $\frac{I}{08}$

M61 diesel locomotive with sound, MÁV
UVP € 279.00

Passenger train car used by the Hungarian MÁV-Start company, a newly-founded subsidiary of the Hungarian state railway. MÁV-Start organizes passenger services in Hungary and has bought up surplus commuter train cars from Germany in order to modernize its rolling stock. **1:100**



45721  V $\begin{matrix} 264 \\ (= \Rightarrow) \end{matrix}$ F+B $\frac{II}{08}$

1st/2nd class passenger train car, MÁV-Start | UVP € 34.90

Passenger train car used by the Hungarian MÁV-Start company, a newly-founded subsidiary of the Hungarian state railway. MÁV-Start organizes passenger services in Hungary and has bought up surplus commuter train cars from Germany in order to modernize its rolling stock. **1:100**



45722  V $\begin{matrix} 264 \\ (= \Rightarrow) \end{matrix}$ F+B $\frac{II}{08}$

2nd class passenger train car, MÁV-Start | UVP € 34.90

1:100

Dining car used by the Hungarian MÁV-Start company, a newly-founded subsidiary of the Hungarian state railway. MÁV-Start organizes passenger services in Hungary and has bought up excess dining cars from Germany in order to modernize its rolling stock.



45723  V $\frac{264}{(= \Rightarrow)}$ F+B $\frac{II}{08}$

Dining car used by MÁV-Start
UVP € 34.90



66413  III $\frac{115}{(= \Rightarrow)}$ F+B $\frac{II}{08}$

Open freight car used by MÁV
UVP € 12.20

Loaded with two 20' containers



66624  V $\frac{189}{(= \Rightarrow)}$ F+B $\frac{III}{08}$

Container carrier car used by MÁV
UVP € 49.50

The Austrian Series 93 locomotives were used by the Czech state railway, where they were called Series 431.1.



62242  III $\frac{167}{(= \Rightarrow)}$ F+B $\frac{II}{08}$

ČSD Rh 431.1 steam locomotive
UVP € 214.00

- Starter sets
- New products
- HO
- Germany
- Austria
- Switzerland
- Italy
- Spain
- France
- Netherlands
- Belgium
- Luxembourg
- Denmark
- Norway
- Sweden
- Finland
- Russia
- Poland
- Hungary
- Czech Republic
- Romania
- General items
- TT scale
- N scale


- Starter sets
- New products
- H0
- Germany
- Austria
- Switzerland
- Italy
- Spain
- France
- Netherlands
- Belgium
- Luxembourg
- Denmark
- Norway
- Sweden
- Finland
- Russia
- Poland
- Hungary
- Czech Republic
- Romania
- General items
- TT scale
- N scale



62816 PRIVAT V $\left(\begin{smallmatrix} 160 \\ \leftarrow \rightarrow \end{smallmatrix} \right)$ F+B $\frac{II}{08}$

Railtrans Rh 716 diesel locomotive
UVP € 79.00

Loaded with Efkr containers for door-to-door transport



66266  V $\left(\begin{smallmatrix} 171 \\ \leftarrow \rightarrow \end{smallmatrix} \right)$ F+B $\frac{II}{08}$

Container carrier car used by ČD
UVP € 32.40



66416 **ČSD** III $\left(\begin{smallmatrix} 79 \\ \leftarrow \rightarrow \end{smallmatrix} \right)$ F+B $\frac{II}{08}$

Talbot ballast car, ČSD
UVP € 19.90

CFR (Romanian state railway) sleeping car for international travel.



45064 V $\left(\begin{smallmatrix} 303 \\ \leftarrow \rightarrow \end{smallmatrix} \right)$ F+B $\frac{II}{08}$

CFR sleeping car
UVP € 47.50

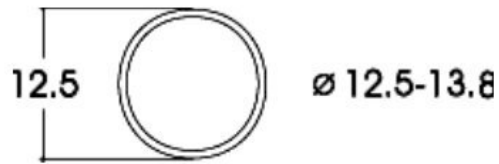
Rail cleaning rubbers 10002 in large packages containing 10 rubbers each



10915

II
08

Roco rubber cleaners,
large package | UVP € 69.00



40066

IV
08

Adhesive ring set, 12.5 -
13.8 mm diameter | UVP € 3,75

Claw coupling for Swedish LKAB ore car, article nos.
45971, 45992, 66285, etc. Contents: 2 per package



40375

I
08

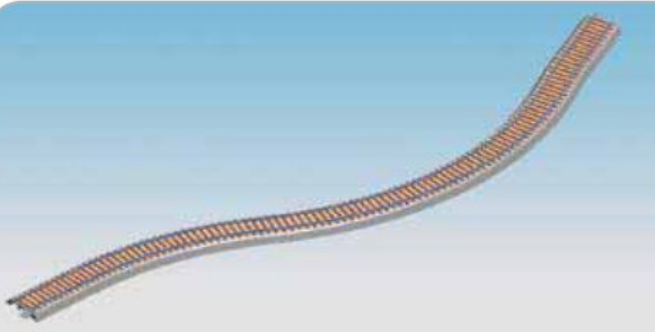
H0 claw coupling
UVP € 1,95



40390

IV
08

H0e stirrup coupling
UVP € 2,55



Length 800 mm, equivalent to 4 G200 straight track
elements. Price is for pack of 3.

61106

III
08

G800 flex track
price not yet available



Starter sets

New products

H0

Germany

Austria

Switzerland

Italy

Spain

France

Netherlands

Belgium

Luxembourg

Denmark

Norway

Sweden

Finland

Russia

Poland

Hungary

Czech Republic

Romania

General items

TT scale

N scale



Starter set for TT format with a DB AG locomotive BR 232 and three sliding wall boxcars of different European railway companies. The set also contains a multiMaus 10810, a digital amplifier 10764 and an all-purpose transformer 10725 as a power supply. The set does not include any tracks.



35001

DB

V

F+B

III
08

TT digital starter set, DB AG
UVP € 189.00



Version with Witte-type smoke deflectors and coal tenders

Foto: D. Wunschmann

36011

DR

IV

FN

IV
08

BR 44 steam locomotive, DR
price not yet available

Starter sets

New products

H0

Germany

Austria

Switzerland

Italy

Spain

France

Netherlands

Belgium

Luxembourg

Denmark

Norway

Sweden

Finland

Russia

Poland

Hungary

Czech Republic

Romania

General items

TT scale

N scale



Version with large Wagner-type smoke deflectors and coal tender

Foto: Th. Oberkalmsteiner

36010

DR

III

FN

IV
08

BR 44 steam locomotive, DR
price not yet available



36220

DR

IV

174
(= >)

FV

III
08

Diesel locomotive BR 132, DR
UVP € 129.00



Foto: M. Sachs

36221

DB

V

174
(= >)

FV

III
08

Diesel locomotive BR 241, DB AG
UVP € 129.00

Starter sets

New products

H0

Germany

Austria

Switzerland

Italy

Spain

France

Netherlands

Belgium

Luxembourg

Denmark

Norway

Sweden

Finland

Russia

Poland

Hungary

Czech Republic

Romania

General items

TT scale

N scale

N-gauge digital starter set, DB AG

Starter sets

New products

H0

Germany

Austria

Switzerland

Italy

Spain

France

Netherlands

Belgium

Luxembourg

Denmark

Norway

Sweden

Finland

Russia

Poland

Hungary

Czech Republic

Romania

General items

TT scale

N scale



n-gauge starter set with a BR 101 of DB AG and three IC express passenger cars. The set comprises a multiMaus 10810, a digital amplifier 10764 and a universal transformer 10725 for power generation.



approx. 1.65m x 0.80m



21200



V

F+B



N-gauge digital starter set, DB AG
UVP € 229.00



A special model of DB's class BR 102-2 with markings designed in the "Azubis gegen Hass und Gewalt" (apprentices against hate and violence) project. In this project, run annually since 2000, apprentices from all DB corporation sectors have been taking action against right-wing extremism, xenophobia and violence and in support of moral courage and team spirit.

23308



V

118,5
(= →)

F+B

BR 101 electric locomotive, special color scheme "Azubis gegen Hass und Gewalt", DB | UVP € 140.00



23450



V

118,5
(= →)

F+B

II
08

Electric locomotive BR 101, DB AG
UVP € 84.00



Model of dual-traction-power system locomotive of the 181² class in blue livery, for cross-border traffic between Germany and France.

23416



IV

112
(= →)

F+B

III
08

BR 181-² electric locomotive, DB version
UVP € 69.00



Model of a dual-system series 181.2 electric locomotive, in turquoise/beige, for cross-border traffic between Germany and France.

23418



IV

112
(= →)

F+B

III
08

Electric locomotive BR 181.2, DB
UVP € 69.00

Starter sets

New products

H0

Germany

Austria

Switzerland

Italy

Spain

France

Netherlands

Belgium

Luxembourg

Denmark

Norway

Sweden

Finland

Russia

Poland

Hungary

Czech Republic

Romania

General items

TT scale

N scale

- Starter sets
- New products
- H0
- Germany
- Austria
- Switzerland
- Italy
- Spain
- France
- Netherlands
- Belgium
- Luxembourg
- Denmark
- Norway
- Sweden
- Finland
- Russia
- Poland
- Hungary
- Czech Republic
- Romania
- General items
- TT scale
- N scale



23432  III $\frac{116}{(- \Rightarrow)}$ F+B $\frac{III}{08}$ Diesel locomotive V 200, DB
UVP € 59.00



24474  IV V $\frac{165}{(- \Rightarrow)}$ F+B $\frac{II}{08}$ 1st class ÖBB "Eurofirma" passenger car
UVP € 18.90



24475  IV V $\frac{165}{(- \Rightarrow)}$ F+B $\frac{II}{08}$ 1st/2nd class ÖBB "Eurofirma" passenger car | UVP € 18.90



24476  IV V $\frac{165}{(- \Rightarrow)}$ F+B $\frac{II}{08}$ 2nd class Eurofima car, ÖBB
UVP € 18.90

Model version with changed road/running number



24477



IV

V

165
(= ⇒)

F+B

II
08

2nd class Eurofima car, ÖBB
UVP € 18.90



24478



IV

V

165
(= ⇒)

F+B

II
08

Eurofima dining car, ÖBB
UVP € 18.90

Model of an E 250 transportes-cobinados of the Spanish state railway.



23484



V

126
(= ⇒)

F+B

I
08

Electric locomotive E250 of the RENFE
UVP € 119.00

Model of an E 250 with Mercancias-RENFE logo.



23485



V

126
(= ⇒)

F+B

I
08

Electric locomotive E250 of the RENFE
UVP € 119.00

Starter sets

New products

H0

Germany

Austria

Switzerland

Italy

Spain

France

Netherlands

Belgium

Luxembourg

Denmark

Norway

Sweden

Finland

Russia

Poland

Hungary

Czech Republic

Romania

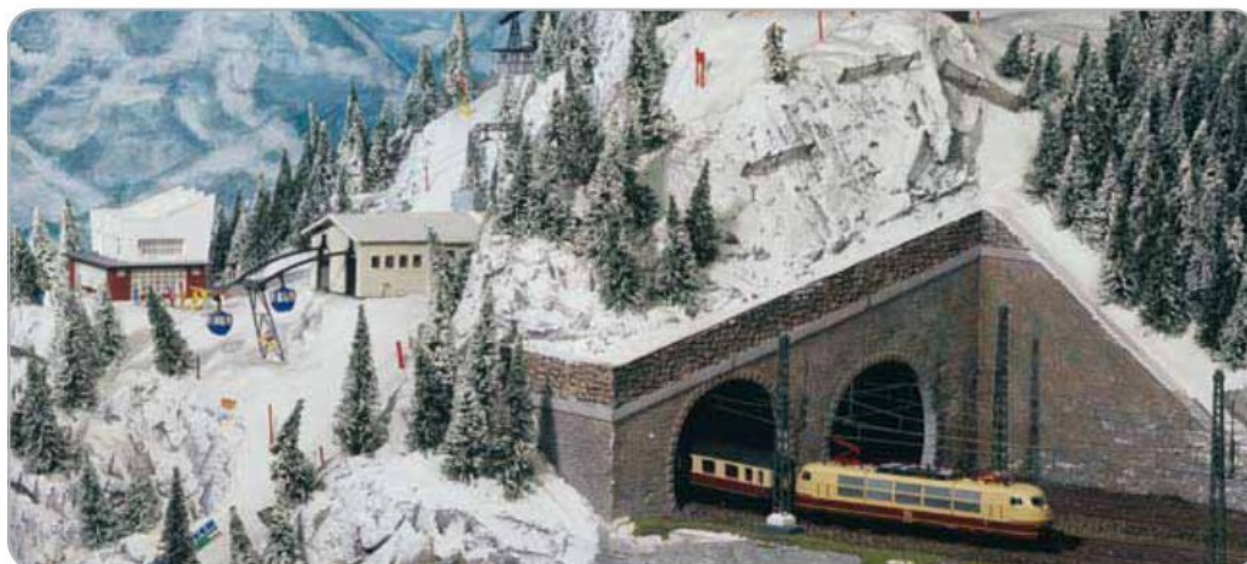
General items

TT scale

N scale

Explanation of symbols

62260	Item number		Change of light, white
222	Catalog page		Change of light, white/red
N	Novelty		Interior lights
FV	Shape variant		Interior lights, retrofittable
FN	Novel shape	264	Length above buffer
F-B	Color and lettering variant		Standard pocket
	Scheduled delivery date from quarter		Interface
	Epoch		Short coupler kinematics
	Railroad management		Short coupler kinematics, rear
	Power system DC		Catenary operation
	Power system DC with sound		Number of propelled axles
	Power system AC		Number of traction tires
	Power system AC with sound		retrofittable with smoke generator
	Decoder (DCC)		AC wheel set
	Decoder, load controlled (DCC)		
	Decoder (Märklin* ¹) Motorola* ²) format		
	Decoder, load controlled (Märklin* ¹) Motorola* ²) format		Scale of length unless 1:87



IMPRINT

We make every effort to present you with a high-quality catalog with correct content. Even though Modelleisenbahn GmbH exercises the greatest possible care in compiling and producing this catalog, it is not able to give any warranty or accept any liability for the correctness, actuality or completeness of the content and information contained in it. Modelleisenbahn GmbH does not make warranty or accept liability for any material or immaterial damage suffered due to the use or non-use of this catalog, nor to the withholding of incorrect or incomplete information in the catalog – unless intent or gross negligence on the part of Modelleisenbahn GmbH can be proved. We reserve the right to update the contents of the catalog and the technical features of the products described in the catalog at any time.

The reproduction of product names, brand names, trade names, company names or other marks in this product catalog does not accord the right to assume that such names or marks may be used freely by anyone. On the contrary, these may be registered trademarks or other markings protected by law, even though they might not be identified as such.

Due to the early editorial deadline of the catalog it was not possible to produce some of the country-specific versions as complete foreign language versions. Whenever a translation was missing, the German text has been inserted instead.

ROCO MODELLEISENBAHN GMBH CATALOG NEW PRODUCTS 2008

PUBLISHED BY > Modelleisenbahn GmbH / Plainbachstr. 4
5101 Bergheim / Austria / www.roco.cc

PUBL. FREQUENCY > annually

PICTURE CREDITS > Modelleisenbahn GmbH, Stefan Zenzmeier or the specified photographers

DESIGN AND LAYOUT > SALESTOOLS® GmbH / Communication, Design & Marketing Factory
Pilotstr. 27 / 90408 Nuremberg / GER / www.salestools.de

PRINTING AND PROCESSING > Oberndorfer Druckerei GmbH / Mittergöming 12
5110 Oberndorf bei Salzburg / AUSTRIA / www.oberndorfer-druckerei.at

Art-Nr.		Art-Nr.		Art-Nr.		Art-Nr.		Art-Nr.		Art-Nr.	
10811	16	41280	11	45810	37	62472	74	63299	22	66352	31
10831	17	41281	10	45811	37	62477	74	63328	28	66354	42
10915	91	41287	13	45833	45	62487	53	63341	23	66360	64
21200	94	44680	30	45834	37	62493	35	63377	28	66376	47
23308	95	44681	30	45835	56	62504	62	63503	83	66390	78
23416	95	45064	90	45844	84	62521	74	63568	43	66392	40
23418	95	45073	63	45845	87	62530	84	63623	35	66397	58
23432	96	45335	81	45846	87	62533	85	63707	36	66412	69
23450	95	45336	82	45847	87	62545	61	63717	44	66413	89
23484	97	45337	82	45860	38	62563	66	63773	28	66416	90
23485	97	45376	75	45861	38	62568	67	63810	70	66467	64
24474	96	45387	75	45862	39	62580	77	63811	70	66500	40
24475	96	45493	86	45863	39	62590	52	63852	24	66502	58
24476	96	45494	29	45880	45	62610	73	63875	83	66504	69
24477	97	45495	29	45881	46	62726	71	63876	83	66505	42
24478	97	45496	29	45882	79	62727	71	63877	83	66515	49
31023	18	45497	29	45883	80	62757	71	63878	61	66522	65
33220	18	45529	56	45884	80	62758	71	63879	62	66541	76
33262	18	45530	56	45949	25	62788	86	63886	62	66550	26
34550	19	45531	56	45950	34	62810	41	63941	36	66564	65
34551	19	45533	78	45970	48	62811	41	64000	22	66598	49
34552	19	45534	78	46407	36	62812	44	64002	75	66604	65
34553	19	45535	86	46472	57	62814	44	64210	45	66623	65
34592	20	45549	33	46538	38	62815	42	64220	47	66624	89
34600	20	45550	68	46967	57	62816	90	64221	46	66627	49
34601	20	45552	68	47766	80	62823	53	64222	47	66637	34
34602	20	45567	87	47778	34	62824	53	64223	46	66642	34
34603	21	45595	63	51238	09	62833	51	64240	54	66664	79
34604	21	45614	68	61106	91	62834	51	64241	54	66666	58
34605	21	45672	30	62010	43	62835	51	64242	55	66670	85
34606	21	45673	30	62210	27	62836	51	64243	55	66675	31
34607	22	45682	24	62226	86	62840	35	64244	55	66676	33
34610	23	45683	24	62227	51	62841	36	64245	55	66677	33
35001	92	45684	24	62228	33	62850	88	66003	38	66678	78
36010	93	45685	25	62229	82	62851	88	66004	31	66683	66
36011	92	45686	25	62242	89	62852	81	66005	48	66684	80
36220	93	45687	25	62243	50	62853	81	66006	77	66690	40
36221	93	45706	79	62261	81	62870	67	66007	57	66700	58
40066	91	45708	79	62265	41	63017	53	66009	46	66701	69
40375	91	45721	88	62269	28	63018	54	66011	57	66702	40
40390	91	45722	88	62270	27	63019	54	66012	63	66715	82
41260	03	45723	89	62271	50	63092	44	66014	39	67725	59
41268	04	45777	72	62396	60	63114	68	66017	84	67726	59
41269	07	45778	72	62397	85	63140	76	66018	32	67727	59
41270	05	45779	72	62401	61	63141	76	66019	32	67728	59
41271	06	45781	72	62407	52	63150	60	66025	76	67729	59
41272	12	45782	73	62432	42	63275	66	66208	64	67730	59
41273	14	45783	73	62446	52	63283	26	66266	90		
41278	08	45794	31	62469	74	63284	26	66340	64		