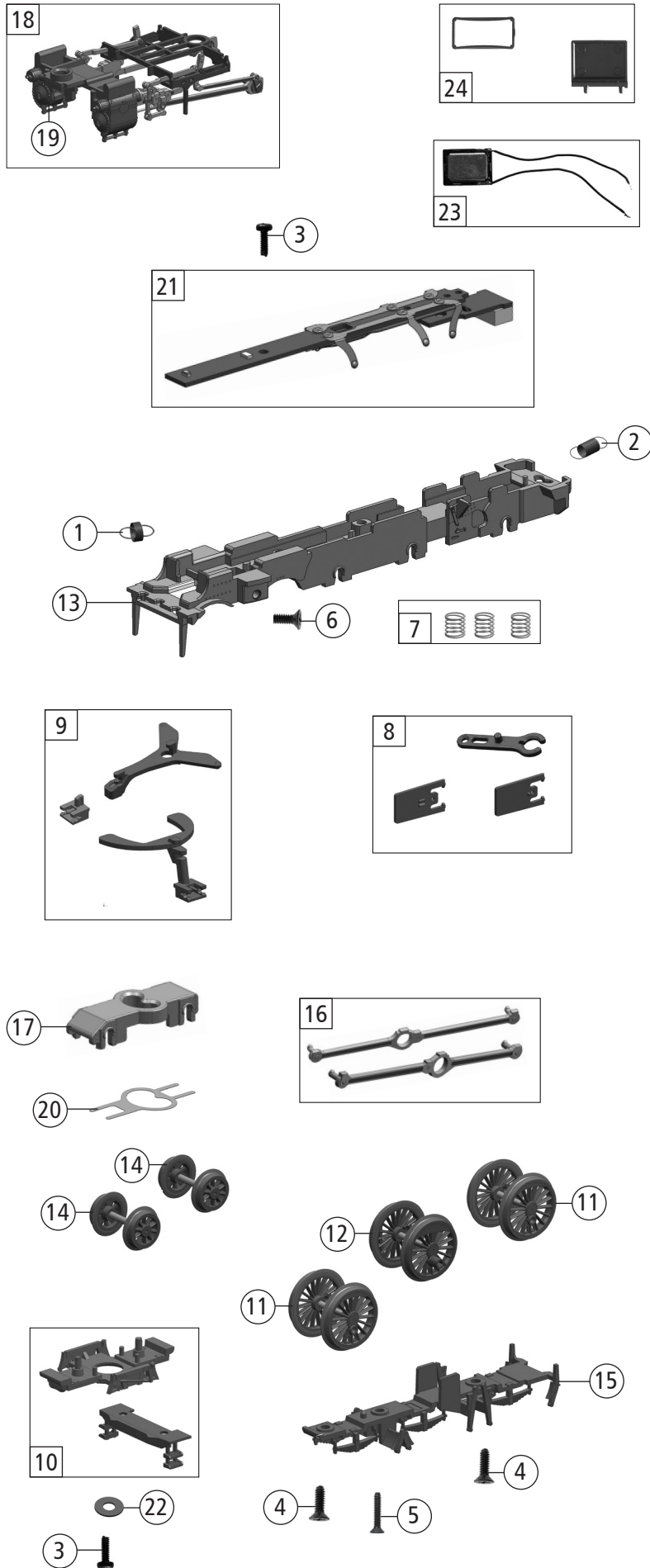
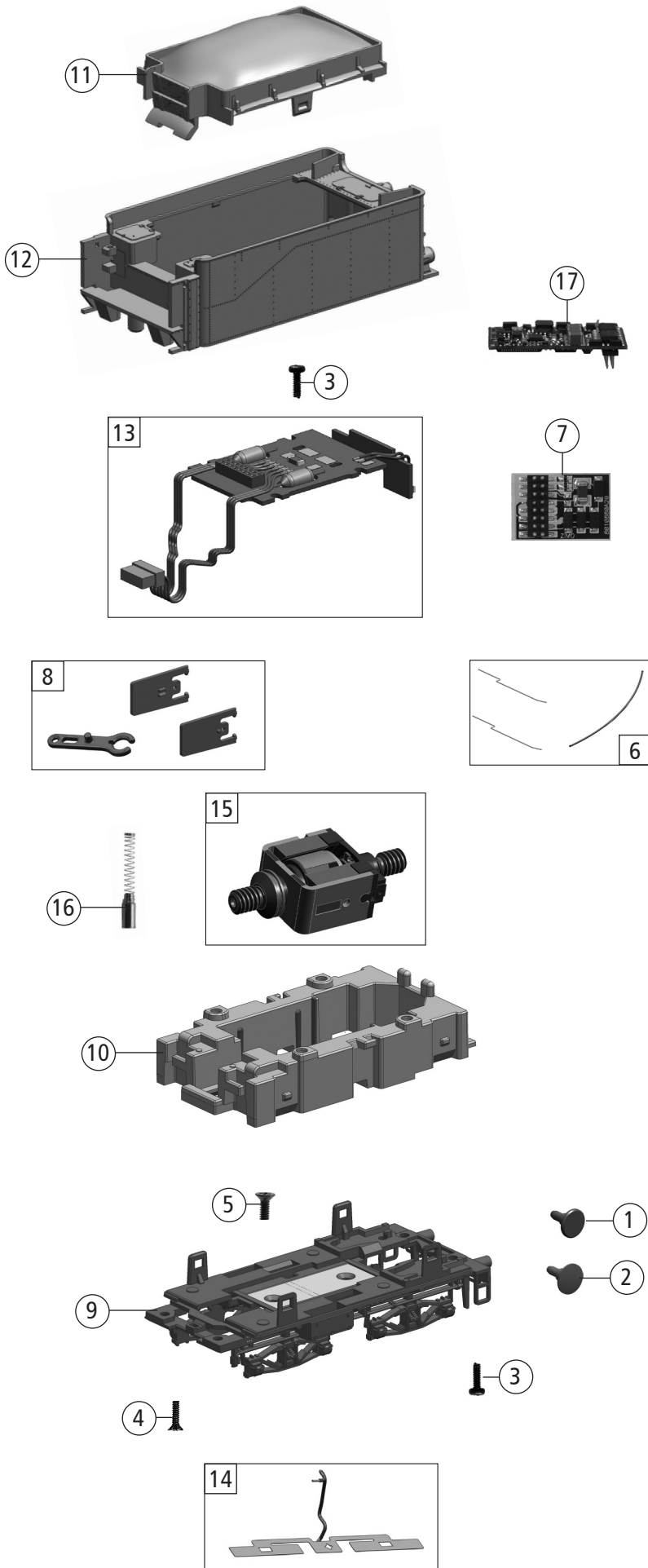


Pos. Nr. Pos.no.	Beschreibung Description	Art.-Nr. Art.no.	Preisgruppe Price bracket
1	Puffer rund flach Buffer round flat	107658	5
2	Puffer rund gewölbt Buffer round curved	107659	5
3	GF-Schraube M2x6 mm Self-tapping screw M2x6 mm	114828	3
4	Kesselboden lackiert Boiler bottom painted	132143	8
5	Windleitblech links und rechts lackiert Smoke deflector left&right painted	132144	10
6	Rauchkammerdeckel lackiert Smoke box cover painted	132147	8
7	Nummernschild Number plate	140920	8
8	TS-Deckel, Lampen Part set cover, lamps	132149	11
9	TS- Rohrleitung Part set of pipe	140921	8
10	TS- Handrad, Ventil, Griffe Part set hand wheel, valves, handles	132153	7
11	TS-Fenster und Lichtleiter Part set window and light conductor	132156	8
12	TS- Führerhausfenster bedruckt Part set driver's cab window printed	132157	10
13	TS- Rohrleitungen, Auftritt Part set pipes, treadle	132158	7
14	TS-Lokgewicht, Scheibe Part set loco ballast, washer	132174	12
15	Umlaufblech Running board	140917	20
16	Kessel kpl. Betr.nr. 38 2528-8 Boiler ass. loco no. 38 2528-8	140918	30
17	Führerhaus bedruckt Driver's cab printed	140919	17

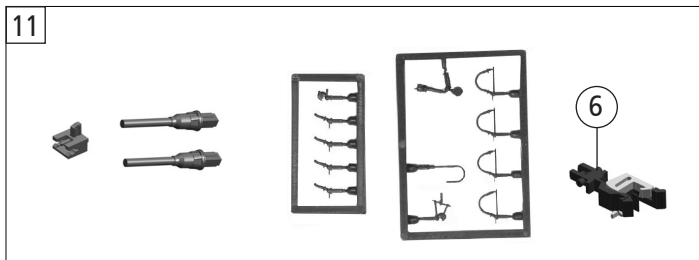
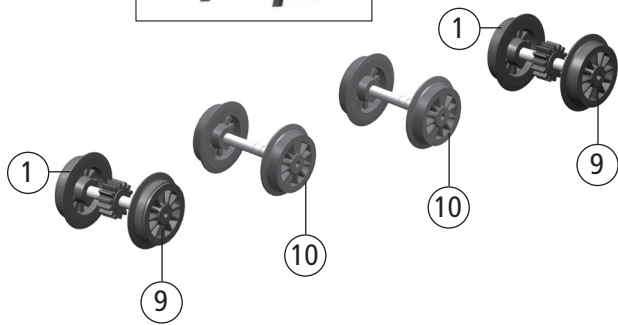
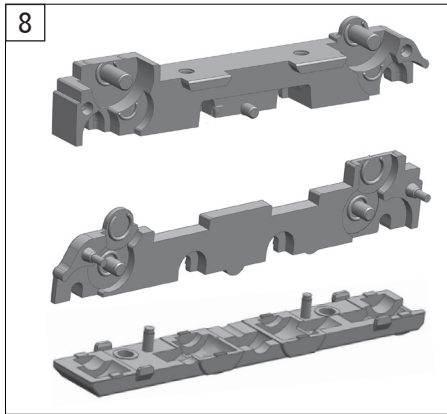
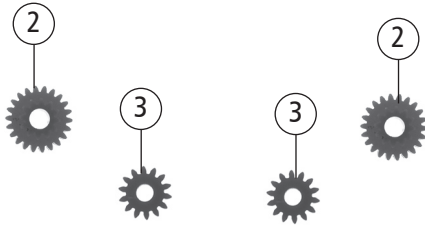
Änderungen in Konstruktion und Ausführung vorbehalten  
We reserve the right to change the construction and specification



Pos. Nr. Pos.no.	Beschreibung Description	Art.-Nr. Art.no.	Preisgruppe Price bracket
36059	DR BR 38	=	
36060		=	🔊
1	Zugfeder Draw spring	86249	3
2	Zugfeder Draw spring	109832	3
3	GF-Schraube M1,6x4 mm Self-tapping screw M1,6x4 mm	114850	3
4	SK-Schraube M1,6x5 SK-Screw M1,6x5	115317	4
5	SK-Schraube M1,6x10 mm SK-Screw M1,6x10 mm	116089	3
6	SK-Schraube M1,6x3 mm SK-Screw M,6x3 mm	125023	3
7	TS-Federn Part set springs	126616	9
8	Lok-Tenderkupplung, Tendertür Coupling between loco a. tender, tender door	132154	8
9	TS- Deichsel, Platten Part set drawbar, plates	132806	7
10	TS-Vorlaufgestellbod., Treppen Part set carrying wheelset floor, treadles	132159	7
11	Treibradsatz 3 Driving wheelset 3	132160	12
12	Treibradsatz 2 Driving wheelset 2	132161	12
13	Lokgrundrahmen Loco basic frame	132162	19
14	Vorlaufradsatz Set of carrying wheels (front)	132163	10
15	Lokboden Loco bottom	132164	6
16	TS- Kuppelstangen Part set coupling rod	140915	11
17	Vorlaufgestell Bogie frame	132180	11
18	Steuerung kpl. Reversing gear complete	140910	24
19	Zylinderblock Cylinder block	132182	10
20	Radkontakt Vorlaufwadsätze Wheel contact for carrying wheels (front)	132183	6
21	Kesselplatine Printed circuit board for boiler	132184	24
22	Beilagscheibe Washer	132185	3
<b>Sound</b>			
23	Lautsprecher Loudspeaker	129524	16
24	TS-Lautsprechergehäuse und Halter Part set loudspeaker body and holder	132145	7



Pos. Nr. Pos.no.	Beschreibung Description	Art.-Nr. Art.no.	Preisgruppe Price bracket
36059	DR BR 38	=	
36060		=	🔊
1	Puffer rund flach Buffer round flat	107658	5
2	Puffer rund gewölbt Buffer round curved	107659	5
3	GF-Schraube M1,6x4 mm Self-tapping screw M1,6x4 mm	114850	3
4	SK-Schraube M1,6x4 mm SK-Screw M1,6x4 mm	115161	3
5	SK-Schraube M1,6x3 mm SK-Screw M1,6x3 mm	125023	3
6	TS -Federn Part set springs	126631	10
7	Brückenstecker Connector	129630	8
8	Lok-Tenderkupplung, Tendertür Coupling between loco a. tender, tender door	132154	8
9	Tenderrahmen Tender frame	132165	10
10	Tendergrundrahmen Tender basic frame	132173	14
11	Tenderoberteil Tender upper part	132179	12
12	Tendergehäuse Tender body	140916	19
13	Tenderplatine Printed circuit board for tender	132187	24
14	Tenderradkontakt kpl. mit Litze Tender wheel contact complete w. lead	132188	8
15	Motor Motor	133913	32
16	Kohlebürste und Feder Carbon brush and spring	133936	10
<b>Sound</b>			
17	Sounddecoder Sound-decoder	129300	39



Pos. Nr. Pos.no.	Beschreibung Description	Art.-Nr. Art.no.	Preisgruppe Price bracket
36059	DR BR 38	=	
36060		=	🔊
1	Haftring N-Spur 7,8 mm 10 Stk. Set w. traction tyres 10pieces 7,8mm	85617	10
2	Schneckenzahnrad Z=22/12 M=0,3 Worm gear wheel Z=22/12 M=0,3	86482	4
3	Zahnrad Z=14 gerade M=0,3 Gear wheel Z=14 straight M=0,3	86496	3
4	Radachsenfeder gebogen Curved axle spring	133914	5
5	SK-Schraube M1,6x5 SK-Screw M1,6x5	115317	4
6	TT Profi Steckkupplung TT-Profi coupling	130090	6
7	Bremsbacken Tender Brake shoes for Tender	132167	7
8	Getriebeatz 3-teilig Gear set 3-parts	132177	16
9	Radsatz m.2Haftringen,mit Zahnrad Wheelset w. 2 traction tyres w.gear wheel	132190	12
10	Radsatz o. Haftring o.Zahnrad Wheelset w/o traction tyre w/o gear wheel	132192	10
11	Zurüstbeutel Bag w. accessories	132798	12