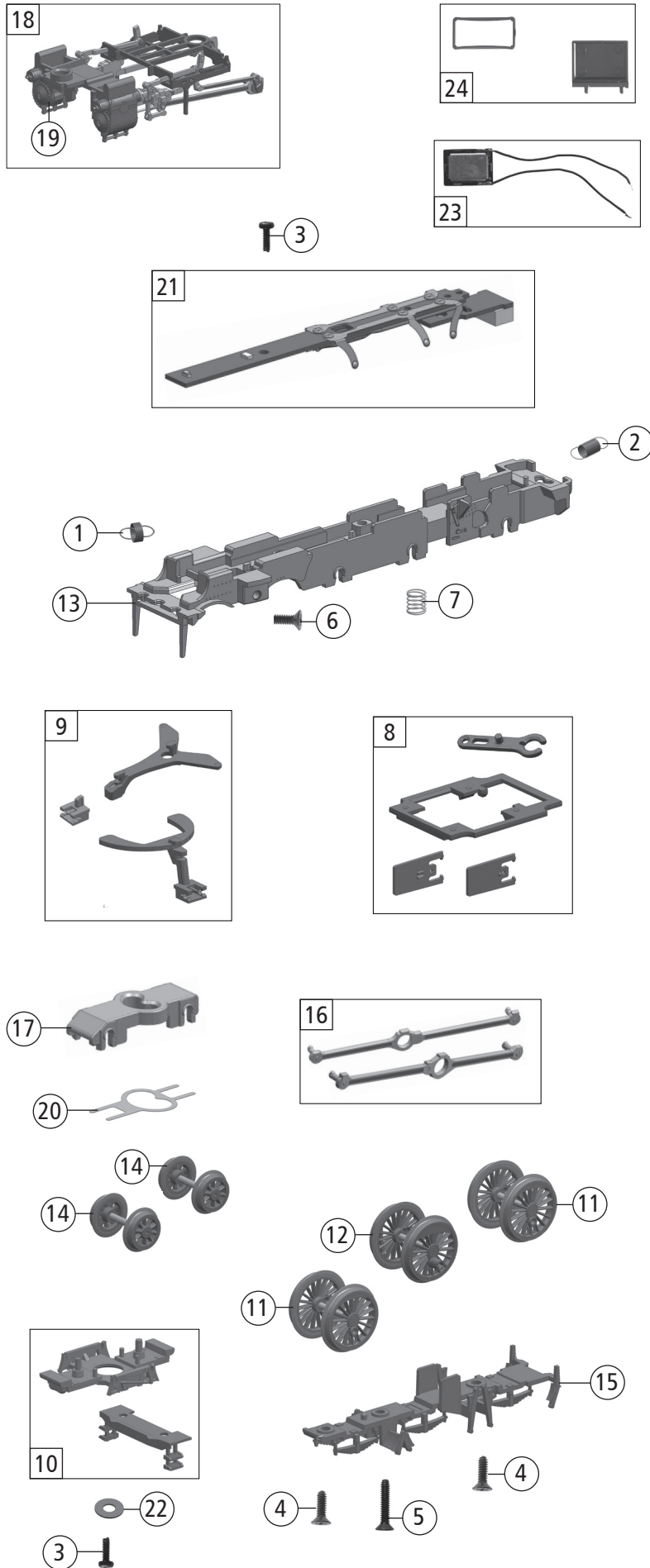
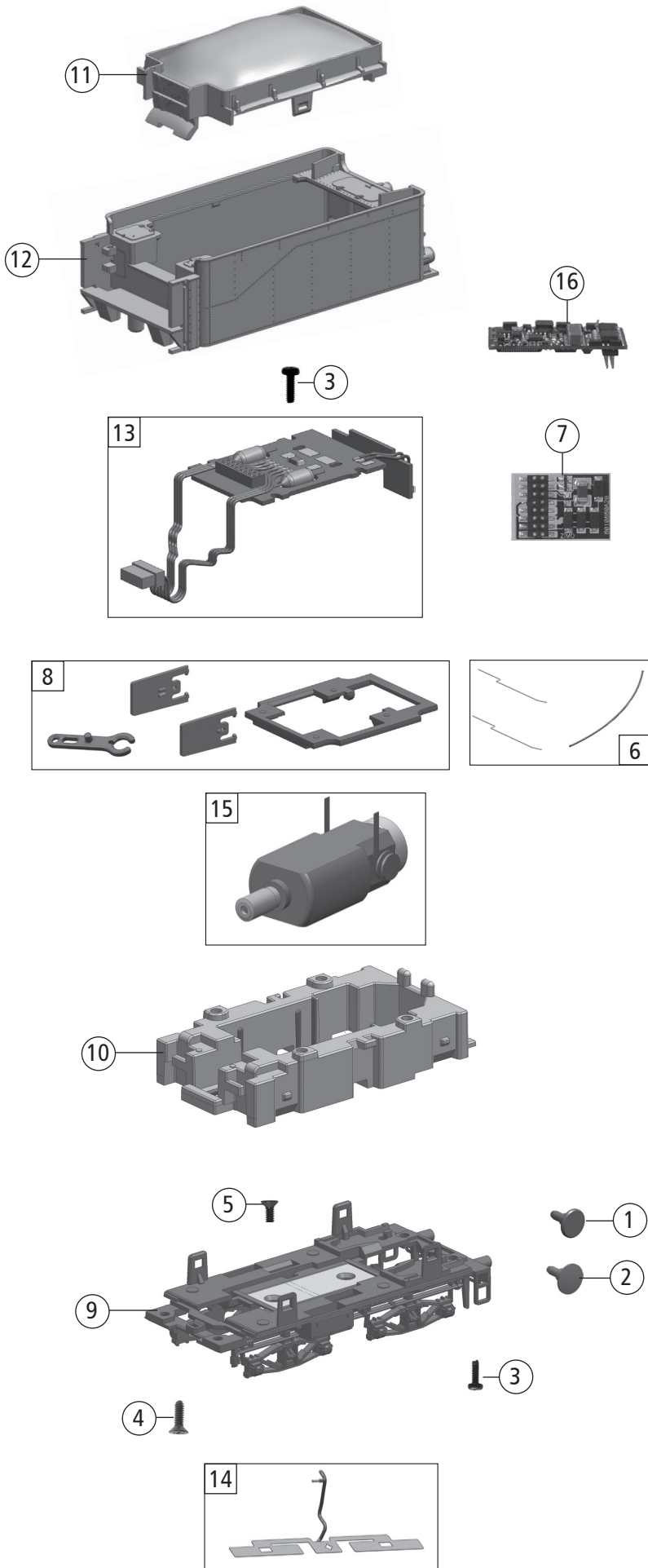


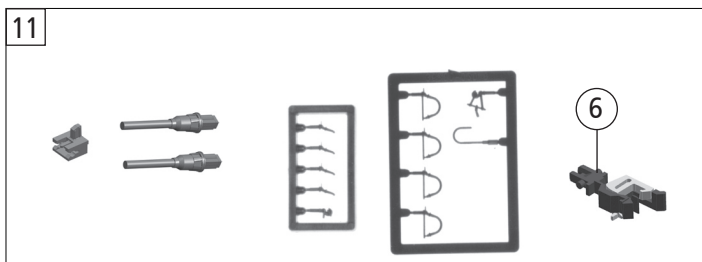
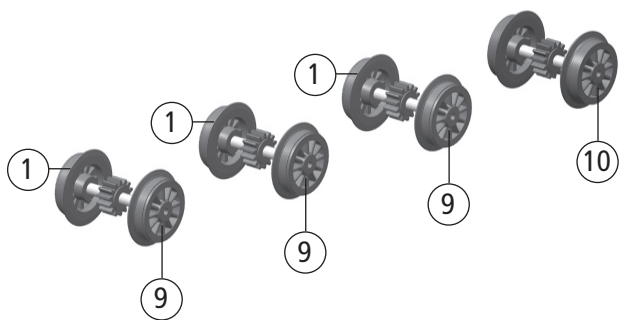
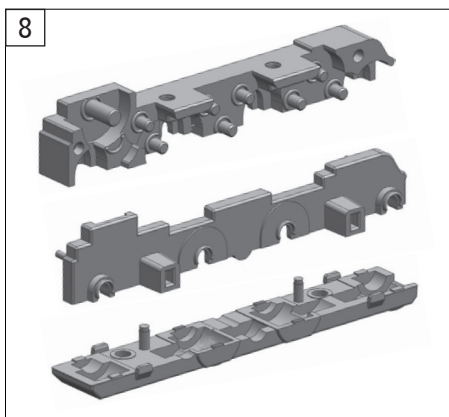
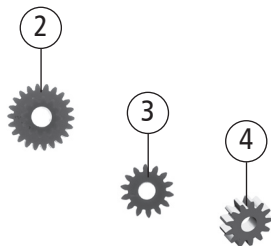
| Pos. Nr. Pos.no. | Beschreibung Description | Art.-Nr. Art.no. | Preisgruppe Price bracket |
|---------------------|--|---------------------|------------------------------|
| 1 | Puffer rund flach - Metall Buffer round flatr - metal | 107658 | 5 |
| 2 | Puffer rund gewölbt - Metall Buffer round vaulted - metal | 107659 | 5 |
| 3 | GF-Schraube M2x6 GF-Screw M2x6 | 114828 | 3 |
| 4 | Kesselboden Boiler bottom | 132143 | 8 |
| 5 | TS- Windleitbleche Part set wind guide plate | 132146 | 10 |
| 6 | Rauchkammerdeckel Smoke chamber lid | 132147 | 8 |
| 7 | Nummernschild Number board | 133056 | 8 |
| 8 | TS-Deckel, Lampen Part set lamps. covers | 132149 | 11 |
| 9 | TS- Rohrleitungen Part set lines | 132152 | 8 |
| 10 | TS- Handrad, Ventil, Griffe Part set hand wheel, valve... | 132153 | 7 |
| 11 | TS-Lichtleiter, Linse Part set light transmission bar, lens | 132156 | 8 |
| 12 | TS- Führerhausfenster bedruckt Part set windows printed | 132157 | 10 |
| 13 | TS- Rohrleitungen, Auftritt Part set lines, ... | 132158 | 7 |
| 14 | Lokgewicht, Montagescheibe Loco weight, washer | 132174 | 12 |
| 15 | Umlauf lackiert Running board coated | 133050 | 20 |
| 16 | Kessel kpl. Betr.nr. 38 2918-1 Boiler ass. loco no. 38 2918-1 | 133051 | 30 |
| 17 | Führerhaus bedruckt Drivers cab printed | 133052 | 17 |



| Pos. Nr. Pos.no. | Beschreibung Description | Art.-Nr. Art.no. | Preisgruppe Price bracket |
|---------------------|--|---------------------|------------------------------|
| 1 | Zugfeder Spring | 86249 | 3 |
| 2 | Zugfeder Spring | 109832 | 3 |
| 3 | GF-Schraube M1,6x4 GF-Screw M1,6x4 | 114850 | 3 |
| 4 | SK-Schraube M1,6x5 SK-Screw M1,6x5 | 115317 | 4 |
| 5 | SK-Schraube M1,6x10 SK-Screw M1,6x10 | 116089 | 3 |
| 6 | SK-Schraube M1,6x3 SK-Screw M,6x3 | 125023 | 3 |
| 7 | Federn 3Stk. Spring 3pieces | 126616 | 9 |
| 8 | TS- Lok Tenderkupplung Part set loco- tender coupler | 132154 | 8 |
| 9 | TS- Deichseln, Platten Part set drawbar, plates | 132155 | 7 |
| 10 | TS-Vorlaufgestellbod., Tender-Treppen Part set pilot frame bottom, tender steps | 132159 | 7 |
| 11 | Treibradsatz Wheelset | 132160 | 12 |
| 12 | Treibradsatz Wheelset | 132161 | 12 |
| 13 | Lokgrundrahmen Loco frame | 132162 | 19 |
| 14 | Vorlaufradsatz Pilot wheelset | 132163 | 10 |
| 15 | Lokboden Loco bottom | 132164 | 6 |
| 16 | TS- Kuppelstangen Part set connecting rod | 132172 | 11 |
| 17 | Vorlaufgestell Pilot frame | 132180 | 11 |
| 18 | Steuerung kpl. Steering ass. | 132181 | 24 |
| 19 | Zylinderblock Cylinder block | 132182 | 10 |
| 20 | Vorlaufradsatzfeder Spring | 132183 | 6 |
| 21 | Kesselplatine Printed circuit ass. | 132184 | 24 |
| 22 | Beilagscheibe washer | 132185 | 3 |
| Sound | | | |
| 23 | Lautsprecher Loud speaker | 129524 | 16 |
| 24 | TS-Lautsprechergehäuse u. Halterung Part set loudspeaker body, holder | 132145 | 7 |



| Pos. Nr. Pos.no. | Beschreibung Description | Art.-Nr. Art.no. | Preisgruppe Price bracket |
|---------------------|--|---------------------|------------------------------|
| 36046 | DR BR 38 | = | |
| 36047 | | = | 🔊 |
| 1 | Puffer rund flach - Metall Buffer round flatr - metal | 107658 | 5 |
| 2 | Puffer rund gewölbt - Metall Buffer round vaulted - metal | 107659 | 5 |
| 3 | GF-Schraube M1,6x4 GF-Screw M1,6x4 | 114850 | 3 |
| 4 | SK-Schraube M1,6x4 SK-Screw M1,6x4 | 115161 | 3 |
| 5 | SK-Schraube M1,6x3 SK-Screw M1,6x3 | 125023 | 3 |
| 6 | TS - Federn Part set spring | 126631 | 10 |
| 7 | Brückenstecker 16 Plux Connector 16 Plux | 129630 | 8 |
| 8 | TS- Lok Tenderkupplung Part set loco- tender coupler | 132154 | 8 |
| 9 | Tenderrahmen bedr.. Tender frame printed | 133049 | 10 |
| 10 | Tendergrundrahmen lack. Tender main frame coated | 132173 | 14 |
| 11 | Tender Oberteil Tender part | 132178 | 12 |
| 12 | Tendergehäuse Tender body | 133048 | 19 |
| 13 | Tenderplatine Printed circuit ass.for tender | 132187 | 24 |
| 14 | Tenderradkontakt kpl. Wheel contact tender ass. | 132188 | 8 |
| 15 | Motorbaugruppe Motor | 132189 | 32 |
| Sound | | | |
| 16 | Sounddecoder Sounddecoder | 129300 | 39 |



| Pos. Nr. Pos.no. | Beschreibung Description | Art.-Nr. Art.no. | Preisgruppe Price bracket |
|---------------------|---|---------------------|------------------------------|
| 36046 | DR BR 38 | | |
| 36047 | | | |
| 1 | Haftring N-Spur 7,8 mm 10 Stk. Set w. traction tieres 10pieces | 85617 | 10 |
| 2 | Schneckenzahnrad Z=22/12 M=0,3 Worm gear Z=22/12 M=0,3 | 86482 | 4 |
| 3 | Zahnrad Z=14 gerade M=0.3 rot Gear Z=14 red | 86496 | 3 |
| 4 | Zahnrad Z=13 - gelb Gear Z=13 yellow | 86518 | 3 |
| 5 | SK-Schraube M1,6x5 SK-Screw M1,6x5 | 115317 | 4 |
| 6 | TT Profi Steckkupplung TT-Profi Coupler | 130090 | 6 |
| 7 | TS-Bremsbacken Tender Part set brake shoes | 132167 | 7 |
| 8 | TS-Getriebe Part set gear | 132177 | 16 |
| 9 | Radsatz m.2Haftringen Wheelset w. 2 traction tieres | 132190 | 12 |
| 10 | Radsatz o. Haftringen Wheelset without traction tieres | 132191 | 11 |
| 11 | Zurüstbeutel Bag w. accessories | 132199 | 12 |